

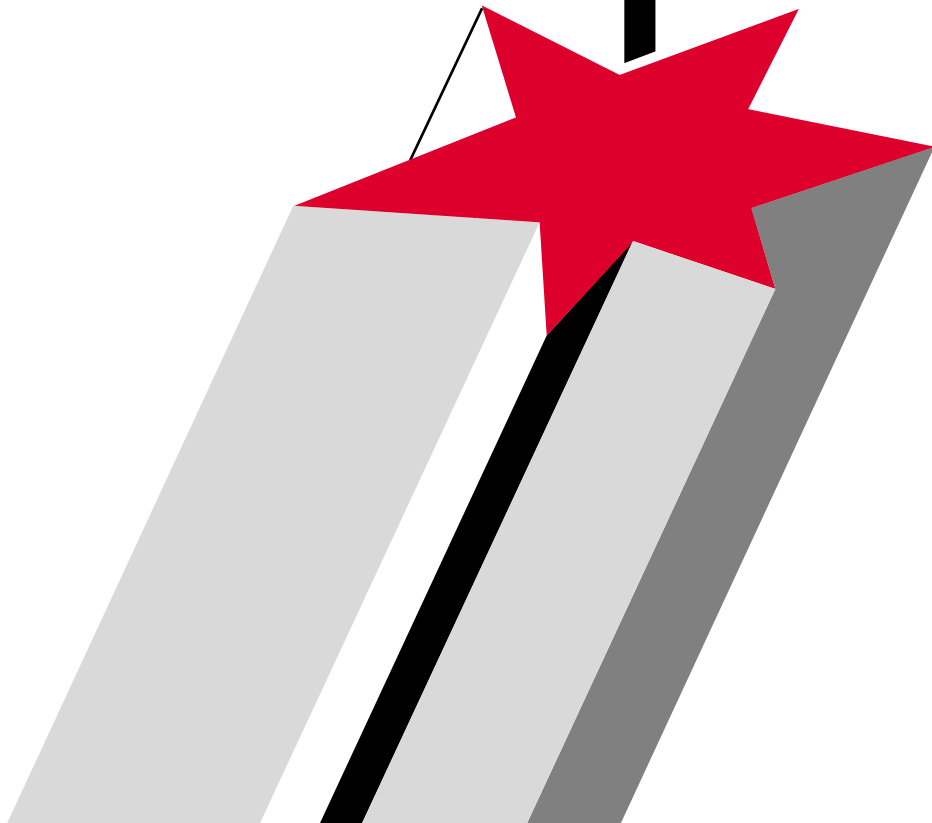
Operating Instructions

Stud Welder

BMS-10N

BMS-10NV

soyer®





Operating Instructions



Stud Welder BMS-10N BMS-10NV

Serial number*
Stud welder BMS-10N

Serial number*
Stud welder BMS-10NV

* Please mark your type of stud welder with a cross and enter the serial number, so that these data are available if you need service support.

Heinz Soyer Bolzenschweißtechnik GmbH
Etterschlag
Inninger Straße 14
D-82237 Wörthsee

Phone: ++49-(0) 81 53 / 8 85-0
Fax: ++49-(0) 81 53 / 80 30
E-Mail: verkauf@soyer.de
export@soyer.de



SOYER® is a registered trade mark of Heinz Soyer Bolzenschweißtechnik GmbH.

It is prohibited to transmit or reprint this document, as well as to utilize or disclose its contents, unless this has been expressly granted.

Non-compliance with this regulation is liable to compensation. All rights reserved, particularly in the case of a patent grant or GM registration.

We have verified that the contents of this pamphlet correspond to the hard- and software described. Deviations, however, cannot be excluded so that we cannot warrant for absolute compliance. The data in this documentation, however, have been verified regularly and necessary corrections will be incorporated in future impressions. We appreciate any suggestions for improvement.

Date of issue: 01.12.1995
(Update Declaration of
Conformity: 01.02.2021)

© Heinz Soyer Bolzenschweißtechnik GmbH 1995 · All rights reserved

Subject to technical changes


Printed in the Federal Republic of Germany



**Heinz Soyer Bolzenschweißtechnik GmbH
Inninger Straße 14
82237 Wörthsee**

CE Declaration of Conformity

We herewith declare that the machine described in the following and the version available on the market correspond in design and construction to the safety and health requirements of the listed guidelines and standards. Any unauthorised modification to this machine automatically annuls this declaration.

| | | |
|---|---|---|
| Designation of machine | : | <u>Stud welding device</u> |
| Machine type | : | <u>BMS-10N</u> <u>BMS-10NV</u> |
| Machine no. | : | _____ |
| Applicable EU directives | : | RoHS Directive (2011/65/EU) Low Voltage Directive (2014/35/EU) EMC Directive (2014/30/EU) |
| Applied harmonised standards, in particular | : | EN 60 974-1:2018 + A1:2019 EN 60 974-10:2016 |
| Applied national standards | : | DGUV Regulation 1 |
| Date | : | 01 February 2021 |
| Producer's signature | : |  _____ |
| Signer's function | : | Managing Director |



Contents

| | | |
|----------|--|-------------|
| 1 | General | 1-1 |
| 1.1 | The following should be principally observed ... | 1-1 |
| 1.2 | Application | 1-2 |
| 1.3 | Information on the product | 1-2 |
| 1.4 | Type plate | 1-2 |
| 1.5 | Information on the documentation | 1-3 |
| 1.5.1 | Chapters of operating instructions | 1-3 |
| 1.5.2 | Information on operating instructions | 1-4 |
| 1.5.3 | Conduct in the case of malfunctions | 1-4 |
| 1.6 | Contacts and service address | 1-4 |
| 2 | Description of stud welder | 2-5 |
| 2.1 | Tip ignition technology | 2-5 |
| 2.2 | Stud welder set-up | 2-5 |
| 2.3 | Dimension | 2-6 |
| 2.4 | Technical Data | 2-7 |
| 2.5 | Block diagram | 2-8 |
| 2.6 | Interface | 2-9 |
| 2.7 | Alteration of supply voltage | 2-10 |
| 3 | Safety instructions | 3-11 |
| 3.1 | Description of reference signs in the operating instructions | 3-11 |
| 3.2 | Staff qualification and training | 3-12 |
| 3.3 | Dangers in the case of non-compliance with safety instructions | 3-12 |
| 3.4 | Safety-conscious working | 3-12 |
| 3.5 | Safety instructions for the operator/user | 3-12 |
| 3.6 | The following should be observed before starting the system ... | 3-13 |
| 3.7 | Before starting welding ... | 3-14 |
| 3.8 | Safety precautions at installation site | 3-14 |
| 3.9 | Working with the stud welder | 3-14 |
| 3.10 | Safety instructions for maintenance, inspection and assembly works | 3-15 |
| 3.11 | Unauthorized retrofit and spare parts production | 3-15 |
| 3.12 | Inadmissible operating methods | 3-15 |
| 3.13 | Stopping the stud welder | 3-15 |
| 3.13.1 | Stopping the stud welder when welding with normal operation | 3-15 |
| 3.13.2 | Stopping the stud welder when welding with automatic operation | 3-16 |
| 3.14 | The "S" symbol | 3-16 |
| 4 | Installation of stud welder | 4-17 |
| 5 | Initiation | 5-18 |
| 5.1 | Front and rear view | 5-18 |
| 5.2 | General description | 5-19 |
| 5.2.1 | Operating elements | 5-20 |
| 5.2.2 | Display elements | 5-20 |
| 5.2.3 | Connecting elements | 5-20 |
| 5.2.4 | Fuse | 5-21 |
| 5.2.5 | Symbols | 5-22 |
| 5.3 | Preparation for initiation | 5-23 |
| 5.3.1 | Earth connection | 5-23 |
| 5.3.2 | Connection of stud welding pistol | 5-24 |
| 5.3.3 | Mains supply | 5-24 |



| | | |
|-----------|---|--------------|
| 5.4 | Adjustment of lift _____ | 5-24 |
| 5.5 | Welding parameters _____ | 5-25 |
| 5.6 | Material combination _____ | 5-26 |
| 6 | Operation _____ | 6-27 |
| 7 | Quality control _____ | 7-28 |
| 7.1 | General _____ | 7-28 |
| 7.2 | Demands on the company _____ | 7-28 |
| 7.3 | Proof of qualification _____ | 7-28 |
| 7.4 | Type and scope of test _____ | 7-28 |
| 7.4.1 | Standard work test _____ | 7-28 |
| 7.4.2 | Simplified work test _____ | 7-29 |
| 7.5 | Test execution _____ | 7-29 |
| 7.5.1 | Production of samples _____ | 7-29 |
| 7.5.2 | Visual inspection _____ | 7-29 |
| 7.5.3 | Tensile test _____ | 7-29 |
| 7.5.4 | Bend test _____ | 7-30 |
| 8 | Maintenance _____ | 8-31 |
| 8.1 | Stud welder _____ | 8-31 |
| 8.2 | Replacement of components _____ | 8-31 |
| 9 | Troubleshooting _____ | 9-32 |
| 10 | Transport and storage _____ | 10-35 |
| 11 | List of standards and guidelines _____ | 11-36 |
| 12 | Terms of warranty _____ | 12-37 |
| 13 | Spare parts _____ | 13-38 |
| 13.1 | Spare parts list for BMS-10N stud welder - Overview _____ | 13-38 |
| 13.2 | Exploded view of BMS-10N stud welder - Overview _____ | 13-39 |
| 13.3 | Spare parts list for BMS-10N stud welder - View A _____ | 13-40 |
| 13.4 | Exploded view of BMS-10N stud welder - View A _____ | 13-41 |
| 13.5 | Spare parts list for BMS-10N stud welder - View B and C _____ | 13-42 |
| 13.6 | Exploded view of BMS-10N stud welder - View B and C _____ | 13-43 |
| 13.7 | Spare parts list for BMS-10N stud welder - View D and E _____ | 13-44 |
| 13.8 | Exploded view of BMS-10N stud welder - View D and E _____ | 13-45 |
| 13.9 | Spare parts list for BMS-10N stud welder - View F _____ | 13-46 |
| 13.10 | Exploded view of BMS-10N stud welder - View F _____ | 13-47 |



Appendix A/PS-3 - Tip ignition

| | | |
|----------|--|------------|
| 1 | Adjustment of stud welding pistol | A-1 |
| 1.1 | Adjustment of stud holder | A-1 |
| 1.2 | Installation of stud holder into stud welding pistol | A-2 |
| 1.3 | Adjustment of spring pressure (does not apply to stud welding pistol PS-3) | A-3 |
| 1.4 | Lift (stud welding pistol PS-3) | A-4 |
| 1.4.1 | Determining the lift | A-4 |
| 1.4.2 | Adjusting the lift | A-5 |
| 2 | Initiation | A-6 |
| 2.1 | Total view | A-6 |
| 2.2 | Connecting the stud welding pistols to the stud welder | A-7 |
| 2.3 | Operation | A-7 |
| 3 | Spare parts | A-8 |
| 3.1 | Spare parts list for stud welding pistol PS-3 | A-8 |
| 3.2 | Exploded view of stud welding pistol PS-3 | A-9 |

1 General

1.1 The following should be principally observed ...

With this stud welder you have purchased a product which

- is state-of-the-art technology
- fully complies with the current safety requirements and
- enables successful working.

Before installing the stud welder, always observe the following:

- Store the operating instructions in a place accessible to every operator
- Ensure that the respective operator has read and understood the operating instructions prior to installation. Each operator should confirm this per signature.
- Prevent the stud welder being operated by unauthorized personnel
- Only trained personnel may operate the stud welder



MORTAL DANGER

Persons with pacemakers must not operate the stud welder and must not stay in the vicinity of the stud welder while it is running. Ensure that the stud welder is not operated near electronically sensitive life-supporting equipment, such as in intensive care units in hospitals.

WARNING

Keep sufficient distance from electronic devices. When stud welding, highly intensive electromagnetic fields are created which may permanently damage these devices (e.g. television sets).

- Moreover, observe the safety instructions in chapter 3.
- Call a doctor in case of an accident.



MORTAL DANGER

The S-symbol is the symbol for welding current sources permitted for operation with increased electric danger. The S-symbol on our stud welders refers exclusively to the welding current circuit and not to the complete stud welder.



1.2 Application

The SOYER® stud welder BMS-10N with tip ignition allows you to weld pins and threaded studs ranging from M3 - M8 or Ø 2 - 8 mm made of steel and stainless steel and M3 - M8 or Ø 2 - 8 mm made of aluminium and brass (depending on requirements), as well as a great number of various welding fasteners (see chapter 2.4, Technical Data). It is also possible to weld welding fasteners made of aluminium and brass.

The stud welder BMS-10NV with a charging capacity of 132,000 µF enables you to weld steel studs up to M10.

The visual side of the workpiece is spared to a large extent from pressure marks or deformations, so that even thin sheet metals under 1 mm sheet thickness retain their decorative appearance.

If you need advice or assistance in solving problems, please contact either our parent company or our field engineers.

1.3 Information on the product

| | |
|---------------------|---|
| Manufacturer | Heinz Soyer Bolzenschweißtechnik GmbH Etterschlag Inninger Straße 14 D-82237 Wörthsee Phone: ++49-(0) 81 53 / 8 85-0 Fax: ++49-(0) 81 53 / 80 30 E-Mail: verkauf@soyer.de export@soyer.de |
| Product designation | Stud welder BMS-10N Stud welder BMS-10NV |
| Country of origin | Germany |

1.4 Type plate

The type plate is located on the rear side of the stud welder. It contains the following information:

- Manufacturer's name
- Manufacturer's address
- Country of origin
- Product designation
- Method of welding
- Date of construction
- Production number
- Performance data
- Mains connection values

1.5 Information on the documentation

The following operating instructions come with the BMS-10N and BMS-10NV stud welders:

- Operating instructions for stud welder BMS-10N, BMS-10NV
Order no.: P00191

For repeat-orders please contact:

Heinz Soyer Bolzenschweißtechnik GmbH
Ettersschlag
Inninger Straße 14
D-82237 Wörthsee
Phone: ++49-(0) 81 53 / 8 85-0
Fax: ++49-(0) 81 53 / 80 30
E-Mail: verkauf@soyer.de
export@soyer.de

1.5.1 Chapters of operating instructions

The operating instructions describe the installation and operation of the stud welder under normal conditions and comprise the following chapters in detail:

- Chapter 1 "General"
Information on application and product, as well as supplementary information
- Chapter 2 "Description of stud welder"
Description of tip ignition technology and of the stud welder
- Chapter 3 "Safety instructions"
All safety regulations which are relevant with regard to installation and operation of the stud welding system
- Chapter 4 "Installation of stud welder"
- Chapter 5 "Initiation"
- Chapter 6 "Operation"
- Chapter 7 "Quality control"
- Chapter 8 "Maintenance"
Maintenance measures
- Chapter 9 "Troubleshooting"
Errors, possible causes and remedies
- Chapter 10 "Transport and storage"
- Chapter 11 "List of standards and guidelines"
- Chapter 12 "Terms of warranty"
- Chapter 13 "Spare parts"



1.5.2 Information on operating instructions

Legal relationship

We draw your attention to the fact that the contents of these operating instructions are neither part of any former or existing arrangement, pledge or legal relationship nor are designed for modifying the latter. All obligations of Heinz Soyer Bolzenschweißtechnik GmbH result from the respective contract of purchase which also comprises the complete and generally valid warranties. These contractual warranty terms are neither extended nor restricted by the implementation of these operating instructions.

WARNING

Do not carry out any actions on the stud welder without specifically knowing the operating instructions or the respective part. Ensure that only qualified personnel familiar with the operating instructions and the necessary technical activities (training!) operate the system.

1.5.3 Conduct in the case of malfunctions

If malfunctions occur, first try to detect and eliminate the causes according to the list in chapter 9 "Troubleshooting" of our operating instructions. In all other cases, contact our service department.

Important information if service is required

If you require our service, please make sure that you supply us with the following information:

- Customer number
- Product designation
- Serial number
- Year of construction
- Options
- Material of stud and workpiece
- Stud dimensions

This information will help us both to save time and unnecessary costs, e.g. caused by delivering the wrong spare parts.

1.6 Contacts and service address

If you have any questions regarding the operation of the stud welding system, retrofits or if you require service, please contact your responsible service office or the following address:

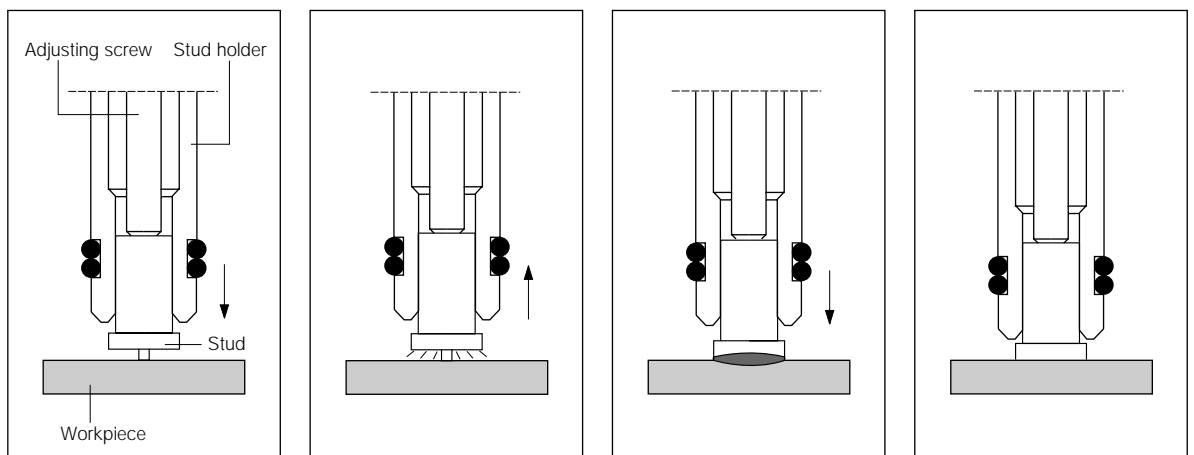
Heinz Soyer Bolzenschweißtechnik GmbH
Ettersschlag
Inninger Straße 14
D-82237 Wörthsee
Phone: ++49-(0) 81 53 / 8 85-0
Fax: ++49-(0) 81 53 / 80 30
E-Mail: verkauf@soyer.de
export@soyer.de

2 Description of stud welder

2.1 Tip ignition technology

The SOYER stud welding systems run according to the principle of capacitor discharge with tip ignition as defined in DVS Leaflet 0903 (German Welding Society).

This system uses the abrupt discharge of a capacitor battery to generate electric arc energy.



SZ.0001.E

The electric arc is initiated via the calibrated and close fit ignition tip on the welding studs and elements. The stud weld base and the opposite surface of the workpiece are melted on. The stud is then automatically dipped in the thin fusion zone or liquid weld pool. After the immediate solidification of the material, an homogeneous high-strength joint is produced in an extremely short welding time of only 1 - 3 milliseconds (0.001 - 0.003 sec.).

2.2 Stud welder set-up

The standard pistol to be connected to the stud welders BMS-10N and BMS-10NV is the stud welding pistol PS-3 with control cable. The stud welders are optionally equipped with an automatic module for the connection of the universal feeder UVR-250S and for fully automatic stud feed. It is necessary to use the stud welding pistol PS-3A or the welding head SK-5A when welding with automatic operation.

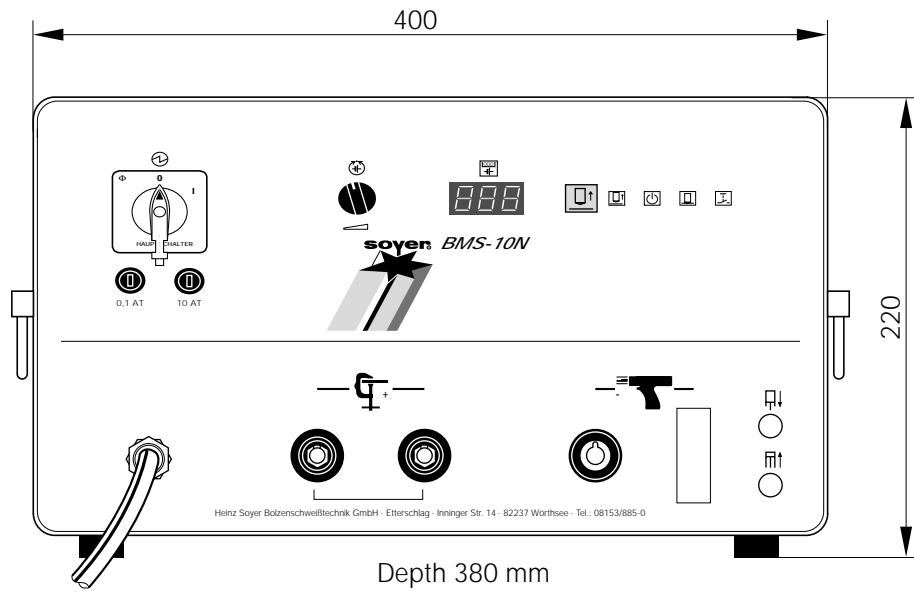
Optionally it is possible to connect the stud welding pistols PS-1, PS-1K, PS-OK and PS-3 as well as the welding head SK-5A. These operating instructions exclusively describe the stud welders BMS-10N and BMS-10NV.

For information regarding the stud welding pistols to be used as well as their adjustment and the universal vibrator UVR-250S, please refer to the respective operating instructions of the stud welding pistols or the universal vibrator UVR-250S.



2.3 Dimension

The stud welders BMS-10N and BMS-10NV have a robust, handy and compact design and identical dimensions.



SZ.0045.E



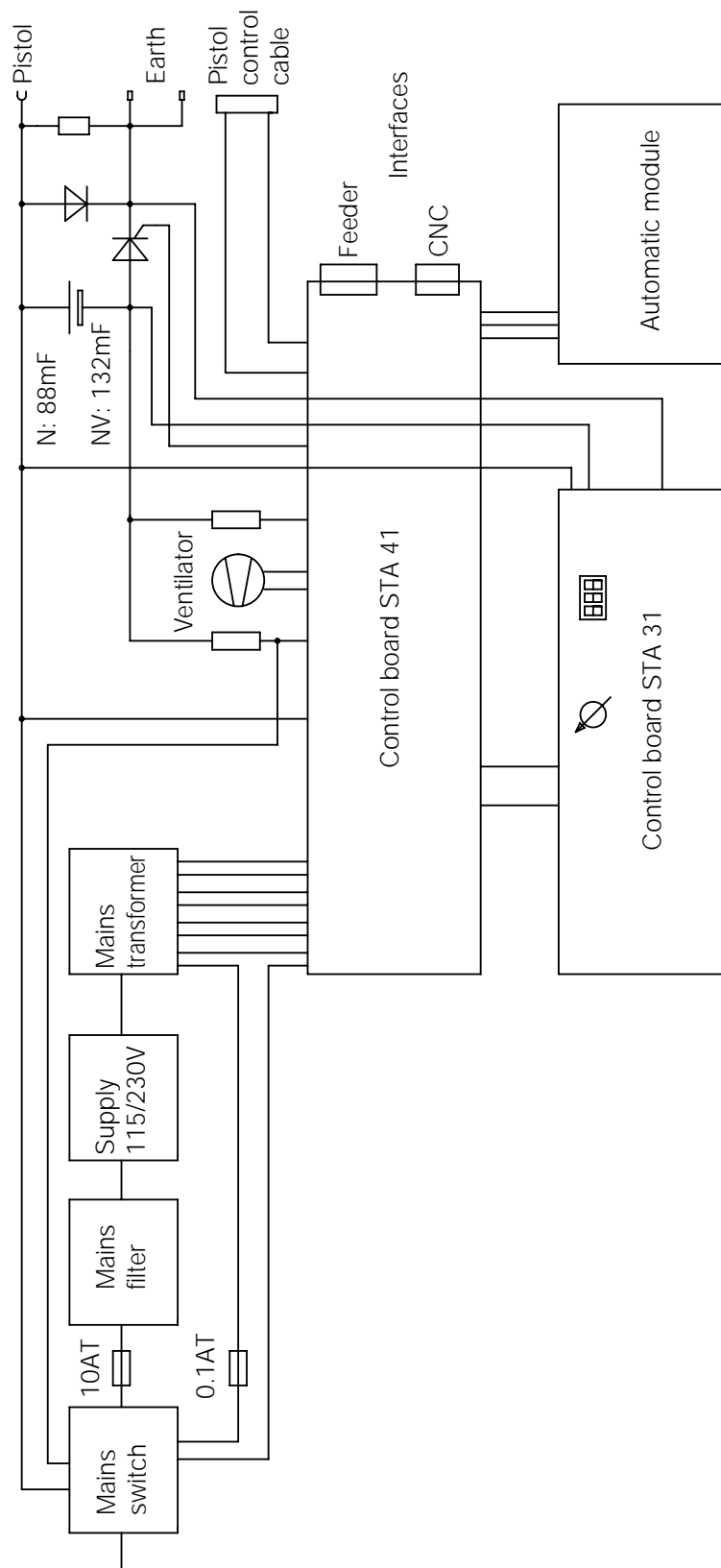
2.4 Technical data

| Designation | BMS-10N | BMS-10NV |
|------------------------------|---|--|
| Welding range | M3 - M8 or Ø 2 - 8 mm with steel and stainless steel, M3 - M8 or Ø 2 - 8 mm with aluminium and brass, depending on requirements | Like stud welder BMS-10N but steel studs up to M10 |
| Welding process | Tip ignition as per DVS Leaflet 0903 with gap and contact welding | |
| Standard pistol | Stud welding pistol PS-3 | |
| Current source | Capacitor battery | |
| Charging capacity | 88,000 µF | 132,000 µF |
| Charging voltage | 50 - 200 V infinitely variable up/down | |
| Welding time | 0.001 - 0.003 sec. | |
| Welding sequence | up to 20 studs/min, depending on stud diameter | |
| Power supply | 220/230 V, 50/60 Hz, 10 AT, +/- 10 % (special voltage on request) | |
| Fuse element at front panel | 0.1 AT for main switch 10 AT for control transformer | |
| Welding cable | 3 m highly flexible | |
| Earth cable | 2 x 3 m highly flexible | |
| Weight * | 19.5 kg | 20.5 kg |
| Colour | RAL 5009 azure | |
| Subject to technical changes | | |

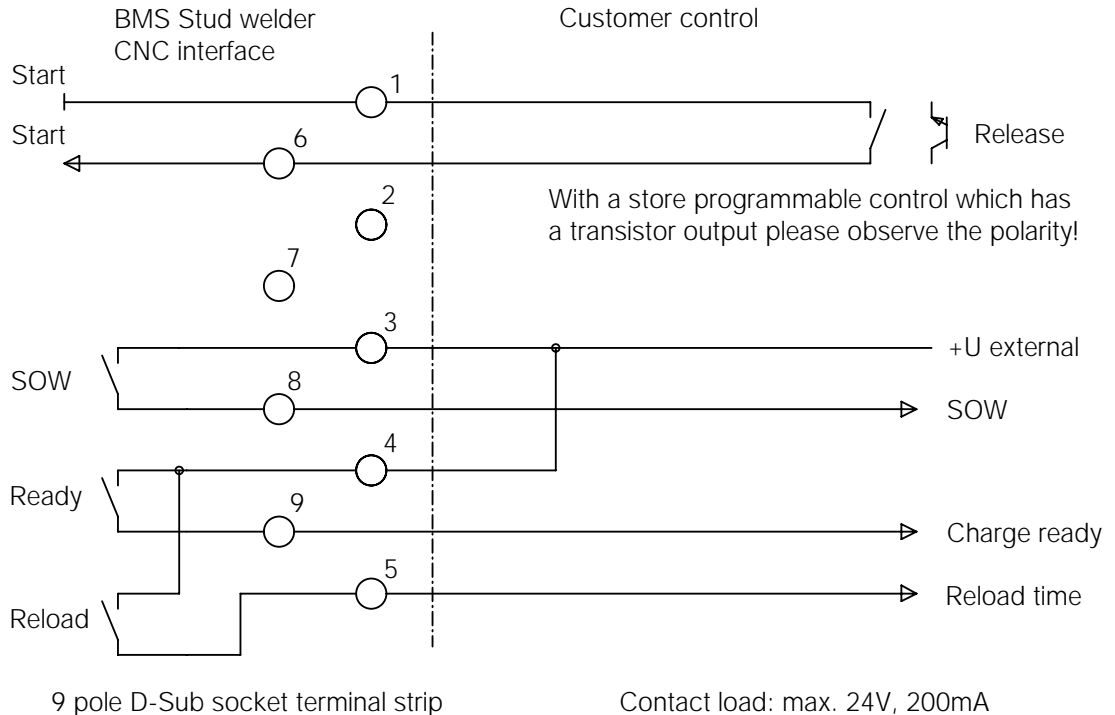
*Slight deviations are possible depending on accessories (e.g. automatic set)

SZ.0042.E

2.5 Block diagram



2.6 Interface



Terminology:

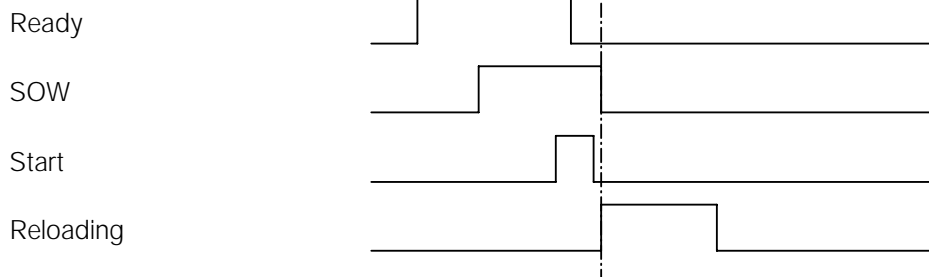
Start: Contact releases the welding process

SOW: Stud on workpiece
Is only required when stud welder is operated via a superior control.
Contact is made when stud touches the workpiece (e.g. head in fore position).

Ready: Contact is made after the set charging voltage has been reached.

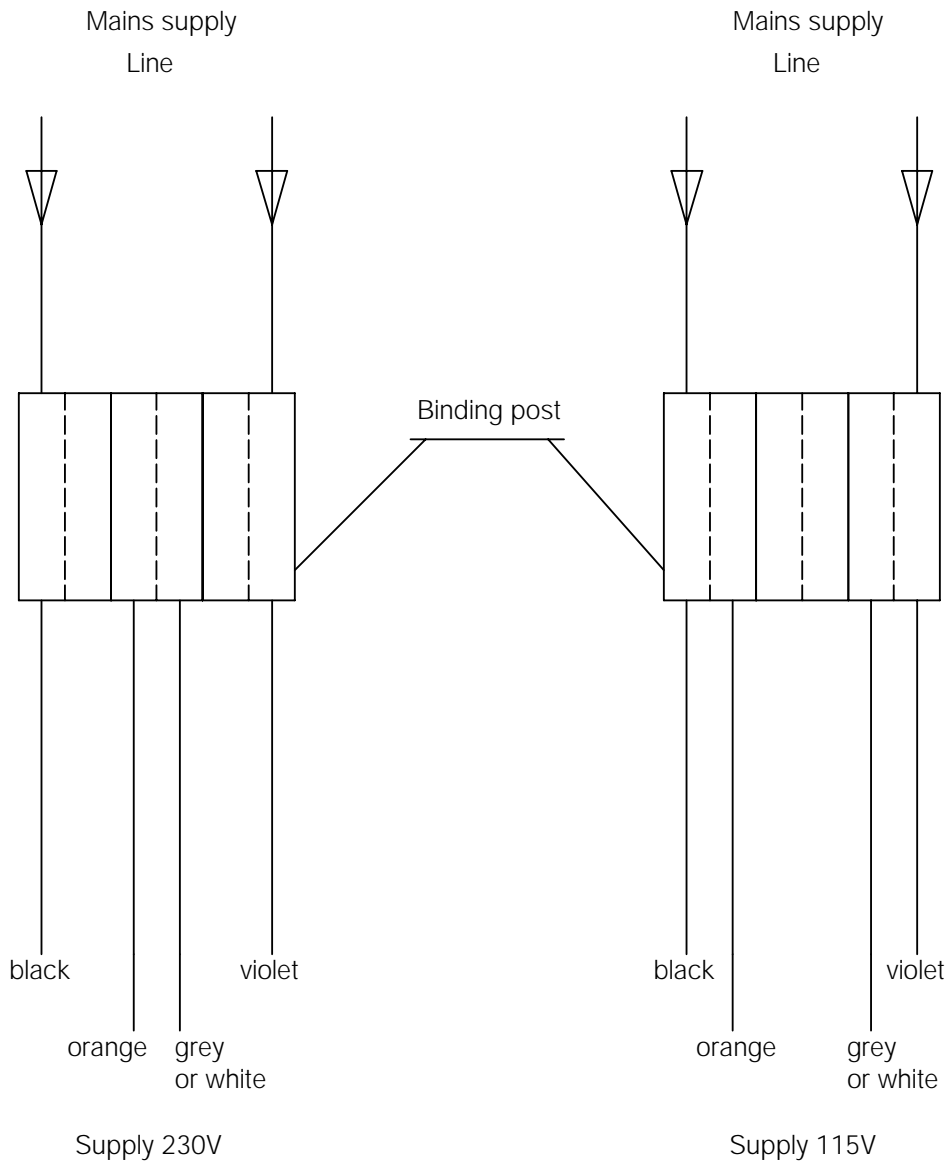
Reload: Contact remains closed during the reload time of the stud
(after removal of the head from the welded stud).

Operational sequence:



Reloading is triggered when the head is removed from the stud. It is recommended to set a waiting period of about 500 ms after the stud has been positioned on the workpiece (SOW) and after the welding has been completed. This ensures a stabilization of the welding head is achieved prior to the welding and that the welded area can settle down after the welding.

2.7 Alteration of supply voltage



3 Safety instructions

These operating instructions contain basic instructions which have to be complied with during installation and/or operation. It is therefore absolutely necessary that these operating instructions are read by the operator and responsible specialist staff prior to assembly and initiation. They must always be available at the installation site.

Not only the general "safety instructions" listed under this main item, but also the special safety instructions e.g. for high temperatures, voltages, etc. listed under the other main items have to be complied with.

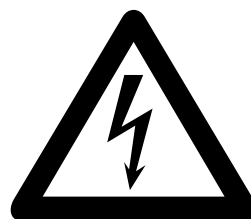
3.1 Description of reference signs in the operating instructions

The non-observance of safety instructions can cause damage to persons. The safety instructions of this manual are marked with the general symbol for danger



safety symbol in compliance with DIN 4844 - W9

Warning of electric voltage is specially marked with the



safety symbol in compliance with DIN 4844 - W8.

In addition to these symbols, the words "**DANGER TO HEALTH**" or "**MORTAL DANGER**" refer to the degree of a possible danger.

Safety instructions the non-observance of which may endanger the machine and its functions are marked with the terms "**CAUTION**" or "**WARNING**".

General instructions are marked with the hand symbol.



3.2 Staff qualification and training

The staff responsible for operation, maintenance, inspection and assembly must have the respective qualification for carrying out these works. Field of responsibility, competence and the supervision of staff has to be exactly regulated by the operator. If your personnel do not have the necessary knowledge, they have to be trained and instructed. If necessary, this can be done by the manufacturer/supplier on behalf of the operator. Furthermore, the operator must ensure that the contents of the operating instructions are fully understood by the staff.

The training and testing institute of welding in Munich (SLV: Schweißtechnische Lehr- und Versuchsanstalt) offers the appropriate training courses for your personnel.

3.3 Dangers in the case of non-compliance with safety instructions

The non-compliance with safety instructions may not only endanger persons, but also the welding system and its environment. Any non-compliance with safety instructions may result in a complete loss of damage claims.

Non-compliance with safety instructions may have the following consequences:

- Failure of important system functions
- Failure of prescribed methods for maintenance
- Danger to persons through electric, mechanic, thermal and acoustic influences

3.4 Safety-conscious working

The safety instructions listed in this manual, existing national accident prevention regulations and possible international working, operating and safety regulations of the operator must be complied with.

3.5 Safety instructions for the operator/user

When stud welding, danger may result from

- electric current
- optical radiation
- harmful substances (smoke)
- acoustic shock
- spraying sparks

You are therefore obliged to restrict the dangers to an inevitable degree and to point these dangers out to the operator and other persons involved.



MORTAL DANGER

Persons with pacemakers must neither operate the stud welder nor stay near it.

3.6 The following should be observed before starting the system...

Before starting the system, pay attention to the following information:

- Juveniles under the age of 16 years must not operate the stud welding system.
- Read all of the operating instructions before starting the system.
- Only qualified personnel are allowed to operate the system.
- Prevent unauthorized use of the system by children or unqualified personnel.
- Wear non-combustible, closed working clothes.
- Wear a leather apron to protect your clothes from welding spatters that are generated during the welding process.
- Wear a head protection when carrying out welding works above your head.



MORTAL DANGER

When welding, do not wear clothes soiled with easily combustible substances such as oil, grease and paraffin oil, etc.

- Wear gauntlet gloves made of leather.
- Wear neither rings, watches nor electrically conductive jewellery.
- Wear protective goggles with eye-protecting lens of shade number 2 (DIN 58211, Part 6) to protect your eyes from welding spatters and flashes of light that are generated during the process.
- Wear side-shielded glasses when knocking off ceramic ferrules.
- Wear ear protection. Capacitor discharge generates a loud bang.



3.7 Before starting welding ...

- Check the state of all cables before starting to weld.
- Immediately replace defective cables and cable connections.
- Ensure that the air apertures of the housing are not covered. Heat accumulation may damage the stud welder.

3.8 Safety precautions at installation site

- When placing the stud welder on tables or similar workshop furniture, ensure that the stud welding system stands firmly and that the table can bear its weight.
- Make sure mains socket and stud welder are properly earthed.
- Comply with fire prevention regulations and do not weld in hazardous locations.
- Make sure room is well ventilated or extract welding fumes, if necessary.



DANGER TO HEALTH

When welding, fumes and suspended matters may be generated . Beware of fumes detrimental to health, particularly when using surface-treated materials. If possible, only weld in rooms which are higher than 3 m. As per VBG 15, special regulations are applicable for narrow rooms.

3.9 Working with the stud welder

- Comply with all accident prevention regulations which apply to the operation of your stud welder



One of the accident prevention regulations applicable for stud welders is VBG 15 "Welding, cutting and similar working methods". For more information, contact the Employer's Liability Insurance Association.



MORTAL DANGER

When welding, do not wear clothes soiled with easily combustible substances such as oil, grease and paraffin oil, etc.

If an accident happens,

- switch off the stud welder and disconnect it from the mains supply
- call a doctor.

3.10 Safety instructions for maintenance, inspection and assembly works

Only carry out maintenance works when stud welder has been switched off

The operator must ensure that all maintenance, inspection and assembly works are only carried out by authorized and qualified technical personnel.

Generally, only work at the system when it has been switched off and after having it disconnected from the mains supply. It is indispensable to comply with the procedure for stopping the stud welding system described in the operating instructions (chapter 3.13).

Immediately after having completed your work, re-install and activate all safety and protective devices.

3.11 Unauthorized retrofit and spare parts production

The system may only be retrofitted and modified after consultation with the manufacturer. Original spare parts and accessories authorized by the manufacturer guarantee safety. The use of other parts may result in the cancellation of warranty for any consequences thus caused.

3.12 Inadmissible operating methods

Limit values

Working safety of the stud welding system supplied can only be guaranteed if the stud welder is used in accordance with its purpose. The limit values indicated in the chapter "Technical data" must never be exceeded.

3.13 Stopping the stud welding system

3.13.1 Stopping the stud welder when welding with normal operation

- Switch off the mains switch (item 2, chapter 5.1) of the stud welder.
- Disconnect the mains plug from the socket.
- Disconnect
 - the earth cables (item 12, chapter 5.1)
 - the control cable (item 10, chapter 5.1)
 - the welding cable (item 11, chapter 5.1) from the stud welder.
- Roll up the cables without buckling them.



The tool and gear wagon GW-1 is the optimum solution for installing SOYER stud welders and for properly storing welding pistols, cables, studs, retrofit kits etc.

- Make sure stud welder cannot be used by unauthorized personnel.
- Turn energy range controller (item 4, chapter 5.1) to the left till stop (smallest energy value).
- Check welding cable and connections of the stud welder for damages such as burn-off, mechanical wear etc. and have damaged parts replaced by SOYER customer service.

3.13.2 Stopping the stud welder when welding with optional automatic operation

- Close the shut-off valve of the compressed air supply.
- Activate the pistol switch several times until the pressure in the lines drops completely.
- Disconnect the compressed air supply connections at the rear side (item 18 and 19, chapter 5.1) and at the front side (item 8 and 9, chapter 5.1).
- Disconnect the interface plug from the connecting socket (item 14, chapter 5.1) at the rear side of the stud welder.
- Disconnect the plug of the universal feeder from the connecting socket at the rear side of the stud welder (item 15, chapter 5.1).
- Continue as described in chapter 3.13.1.

3.14 The "S" symbol

The "S" symbol is the symbol for welding current sources permitted for operation with increased electric danger. The "S" symbol on our stud welders refers exclusively to the welding current circuit and not to the complete stud welder.

4 Installation of the stud welder

The sides of the stud welders BMS-10N and BMS-10NV are equipped with two plastic handles.



These carrying handles are intended for transport by hand only. Never pull ropes through these handles to lift the system by crane to the installation site. The system would become unstable and might tilt from its original position. As a result the handles could rip and the system fall on the ground.

- Only place the stud welder on an even surface. Four anti-vibration pads located on the bottom of the system guarantee its anti-skid position and serve as vibration dampers.
- Although the stud welder is resistant to environmental influences, it should be protected against dampness and dust. This is easily achieved by placing the welding system on a workbench.
- Please pay particular attention to the bearing strength of the workshop furniture and a safe and stable position.
- Make sure there is sufficient free space around the air apertures.
- Install the stud welder close to the welding location.
- Observe the correct connected loads for electrical connections.
- The electrical connecting cable is of adequate length. Additional extension cables cause a voltage drop, possibly leading to unit disturbances.
- Ensure sufficient ventilation of the working room when operating the system.

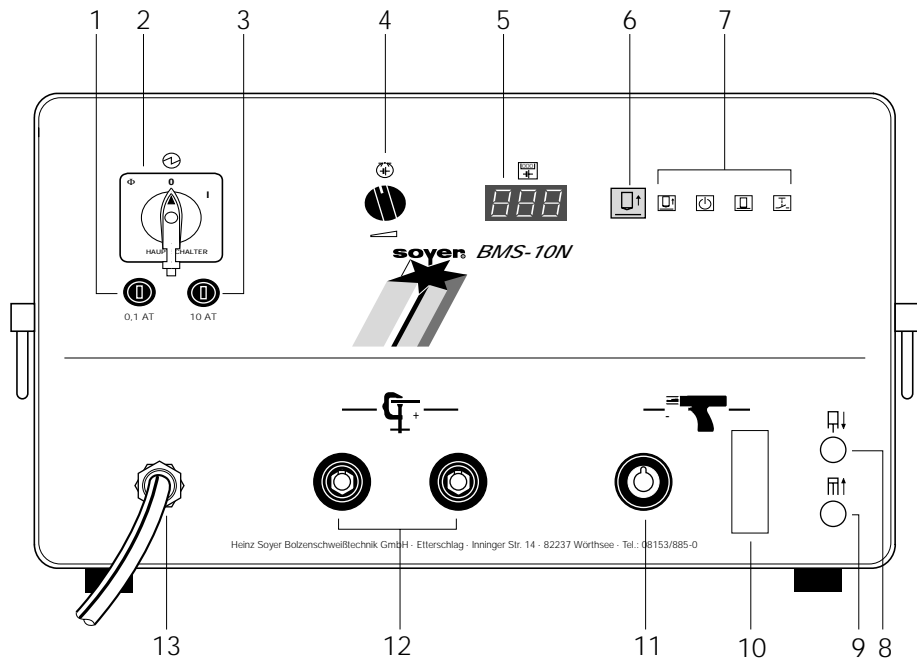


The housing of the stud welders BMS-10N and BMS-10NV corresponds to safety class IP 21. Please observe that this system of protection is e.g. not suitable for being operated or transported in the rain.

5. Initiation

5.1 Front and rear view

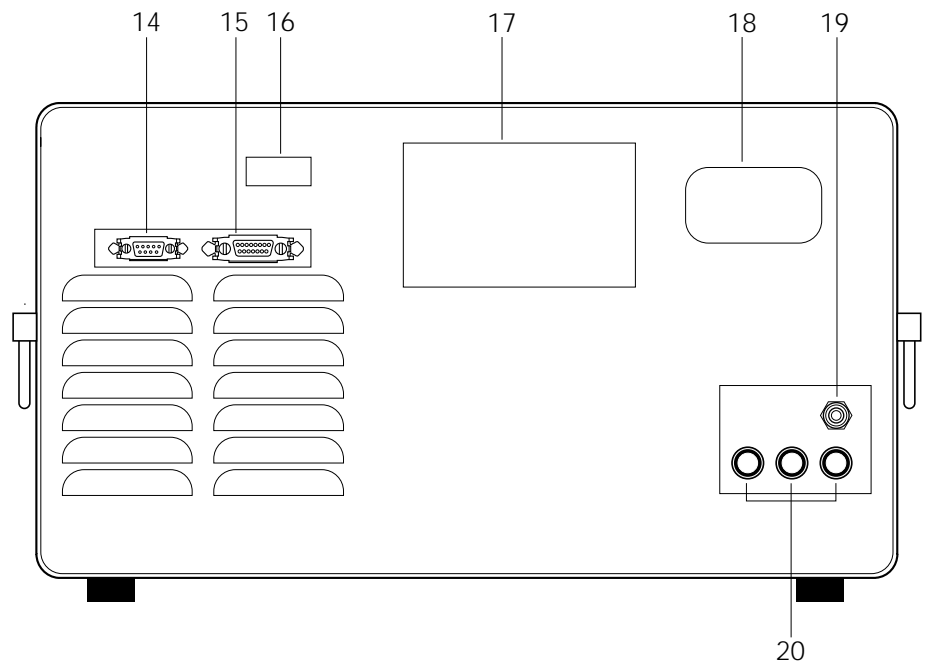
Both stud welders BMS-10N and BMS-10NV have identical front and rear views.



Front view

- | | |
|----------------------------------|--------------------------------------|
| 1 Fuse element with fuse 0.1 AT | 8 Air function "forward" (optional) |
| 2 Main switch | 9 Air function "backward" (optional) |
| 3 Fuse element with fuse 10 AT | 10 Control cable socket |
| 4 Energy range controller | 11 Welding cable socket |
| 5 Charging voltage display | 12 Earth cable connectors |
| 6 Function key "Lift adjustment" | 13 Mains cable |
| 7 LED displays | |

SZ.0044.E



Rear view

- | | |
|---|---|
| 14 9 pole connecting socket for controlling the stud welder via a CNC interface | 17 Type plate |
| 15 15 pole connection socket for controlling the feeder | 18 Test label |
| 16 Welding counter | 19 Compressed air supply connection for feeder control (optional) |
| | 20 Connection sockets for compressed air control of the feeder (optional) |

SZ.0046 E

5.2 General description

The SOYER stud welders BMS-10N and BMS-10NV are universally applicable for both manual and automatic operation. They offer optional simple and low-cost retrofitting of an automatic module for semi- and fully automatic stud feed. Operation is very simple because of the infinitely variable bidirectional regulation of the charging voltage. The performance values can be taken from the precise digital display located on the clearly arranged raised front panel. All functions can be monitored via clearly visible pilot lamps.

The stud welders BMS-10N and BMS-10NV allow you to carry out function tests without welding current for welding pistols and heads (lift test) and to adjust the lift. At the rear side of the stud welder a welding quantity counter is installed to record the welding quantities. The standard CNC interface allows a problem-free connection of the stud welder to bench welders.

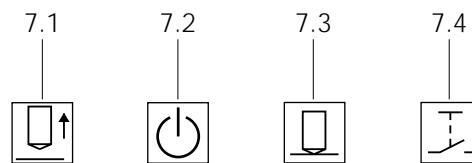
Short charging cycles and high reserve capacities guarantee the readiness for operating at short intervals and enable short welding sequences.

5.2.1 Operating elements

- **Main switch (item 2, chapter 5.1)**
The main switch is used to switch the stud welder on and off.
- **Energy range controller (item 4, chapter 5.1)**
The energy range controller enables infinitely variable energy adjustment for weldable stud diameters.
- **Function key for adjusting the lift (item 6, chapter 5.1)**
For carrying out the lift test on the welding pistol or welding head, the charging voltage has to be set to "0" by pressing the function key "Lift adjustment" (6).

5.2.2 Display elements

- **Charging voltage display (item 5, chapter 5.1)**
The digital display shows the adjusted energy value (charging voltage in volts).
- **LED displays (item 7, chapter 5.1)**
The LEDs show the respective operational states.



- 7.1 LED "Lift"
- 7.2 LED "Ready"
- 7.3 LED "Stud on Workpiece"
- 7.4 LED "Release"

SZ.0047.E

5.2.3 Connecting elements

- **Mains connecting cable (item 13, chapter 5.1)**
Use the mains connecting cable to connect the stud welder to the power supply.
- **Earth cable connectors (item 12, chapter 5.1)**
The earth cable connectors allow the earth terminals to be connected to the stud welder.
- **Control cable connection (item 9, chapter 5.1) and welding cable socket (item 10, chapter 5.1)**
The control cable connection and the welding cable socket serve to connect the stud welding pistol or the welding head to the stud welder.

- **Air function "forward" (item 8, chapter 5.1, optional)**
Connection for welding pistols or heads with automatic stud feed.
- **Air function "backward" (item 9, chapter 5.1, optional)**
Connection for welding pistols or heads with automatic stud feed.

5.2.4 Fuse

- **Fuse (item 1 and 3, chapter 5.1)**
The stud welder is protected by two fuses:
0.1 AT and 10 AT.





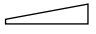
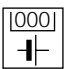
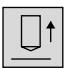
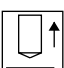

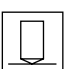
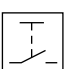




WARNING

If you have to replace fuses, only use those with specified electrical values. Oversized fuses could either cause defects to the electrical system or a fire.



Disconnect the mains plug from the power supply when replacing fuses!

5.2.5 Symbols

| Symbol | Designation | Function |
|---|--------------------------------|--|
|  | Electrical energy | Mains switch for switching stud welder on and off. |
|  | Energy range control | Potentiometer for controlling the energy range. |
|  | Alteration of a quantity | Modifying the necessary energy value for the respective stud diameter. |
|  | Digital measured value display | Digital display of charging voltage in volt. |
|  | Function key "Lift adjustment" | Adjustment of charging voltage to "0" to carry out the lift test. |
|  | LED "Lift" | LED lights up when lifting magnet of welding pistol is activated. |
|  | LED "Ready" | LED lights up when stud welder is ready for operation. |
|  | LED "Stud on Workpiece" | LED lights up when earth pole is connected and the stud touches the workpiece. |
|  | LED "Release" | LED lights up when trigger switch of welding pistol or head is pressed. |
|  | Air function "forward" | Air connection of stud welding pistol/welding head with automatic operation. |
|  | Air function "backward" | Air connection of stud welding pistol/welding head with automatic operation. |
|  | Earth | Marks earth cable connectors to be connected with earth cables. |
|  | Pistol | Marks control and welding cable sockets to be connected with pistol. |

SZ.0043.E

5.3 Preparation for initiation



MORTAL DANGER

Please observe the safety instructions in chapter 3. Do not yet connect the stud welder to the mains supply.

Connect the stud welding pistol and earth cables to the stud welder prior to initiation.

5.3.1 Earth connection

- Attach earth cable to earth cable connector (item 12, section 5.1) and lock by turning to the right until stop.
- Attach earth clamps to workpiece.



Ensure optimum contact with workpiece.

Due to the high welding current, an unbalanced current distribution may cause a magnetic blow effect on the arc, i.e. the arc for welding the stud is asymmetrical. This is shown by an irregular course of the weld upset on the side of the stud. The welding results are unsatisfactory and not reproducible.

For this reason, you should attach the earth clamps to the workpiece in such a manner that the welding pistol is positioned as close as possible to the centre of the connecting route of both earth clamps. This guarantees a current distribution around the stud that is balanced to the largest possible extent and satisfactory welding results.

Difficult areas are welds on the edge of the workpiece or greater non-homogeneities in material thickness, i.e. the sheet thickness varies by a few millimeters or additional material is welded or riveted to the metal. This also includes stud welding on profile sections.

To ensure good welding results, carry out several test welds under different conditions. For example, simply change the position of the earth clamps or turn the welding pistol.



Please ensure that the contact areas of the earth clamps are always kept clean and do not oxidize, otherwise high transition resistances could occur that may result in a considerable reduction of the rated welding current.

In addition, make sure that the earth clamps are clamped securely to the workpiece and the earth cables as well as the pistol cable are securely connected to the stud welder. This prevents high transition resistances and arc losses on the clamps or plug-in connections which in turn would result in poor welding results.

5.3.2 Connection of stud welding pistol

- Connect welding cable of welding pistol or welding head to the welding cable socket (item 11, chapter 5.1) and lock by turning to the right until stop.
- Insert control cable into control cable socket (item 10, chapter 5.1) and secure by locking the spring bands.
- Please observe the connecting instructions given in the operating instructions for the welding pistols.

5.3.3 Mains supply

- Connect mains cable to power supply.



MORTAL DANGER

Only connect stud welder to authorized earthed sockets.

5.4 Adjustment of lift



The adjustment of lift is only possible for stud welding pistols or welding heads with magnet (e.g. PS-3, PS-3A).

The lift on the stud welding pistol or welding head is adjusted as follows:

- Switch on main switch (item 2, chapter 5.1).
- Press function key "Lift adjustment" (item 6, chapter 5.1).
The LED "Lift" (item 7.1, chapter 5.2.2) lights up. Charging voltage returns to "0"
- Position pistol on workpiece.
- Press pistol switch. Stud holder lifts off the workpiece and lift can be adjusted. To protect the magnet, the lift test is only carried out for 1.5 secs.

The measure of the lift adjustment must be determined in welding tests. The welding pistol has then to be adjusted accordingly. For further information please refer to the respective operating instructions of the welding pistol or welding head.

The function "Lift adjustment" is terminated by pressing once again the function key "Lift adjustment" (item 6, chapter 5.1).

5.5 Welding parameters



IMPORTANT

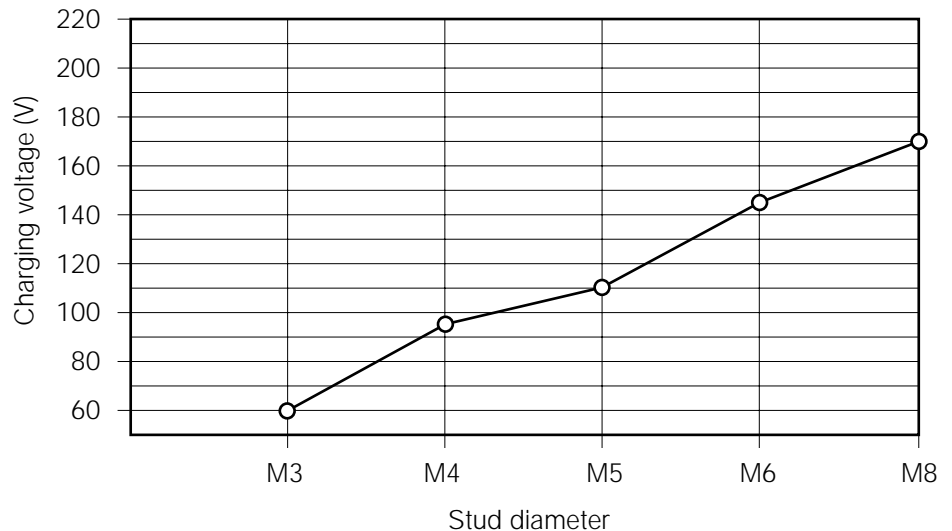
The set welding parameters influence the reproducibility and quality of the welding results to a large extent. The parameters depend on the size of the studs and the material properties. The values indicated in the table are standard values which are exclusively valid for studs supplied by SOYER. They may vary depending on the type of workpiece, the workpiece thickness, the surface condition and on environmental conditions (e.g. low outdoor temperatures). The settings of the welding pistol or welding head also influence the welding parameters (if e.g. the lift is increased, normally the charging voltage has to be increased too).

Random samples should be taken during any production process to ensure constantly good welding results (see DVS Guideline, Part 1, "Quality assurance of stud welding joints").

The welding parameters were determined with the stud welder BMS-10N and the stud welding pistol PS-3 using a lift adjustment of about 2.5 mm. A steel plate with a thickness of 2 mm served as base metal for welding copper-plated capacitor studs made of ST 37-3, as per DIN 32501.

The values for the charging voltage are possibly somewhat lower when using the amplified stud welder BMS-10NV.

The charging voltages shown in the diagram on the right are standard values. They vary from the stated setting depending on the material type, workpiece thickness and surface condition of the workpiece.



SZ.0048.E

5.6 Material combinations

| Base material | Stud material | | | | | |
|---|---------------|-------------------------------------|-------------------|--------|---------|---------|
| | St 36-2 | Ws 1.4303 (stainless or similar) | CuZn 37 (Ms63) | AlMg 3 | AlSi 12 | Al 99,5 |
| Steel up to C 0.30 % | 1 | 2 | 1 | 0 | 0 | 0 |
| Steel up to C 0.60 % | 0 | 2 | 0 | 0 | 0 | 0 |
| Steel plate leaded, solder-coated or galvanized max. 30 μ | 2 | 2 | 1 | 0 | 0 | 0 |
| CrNi steels, austenitic | 2 | 1 | 2 | 0 | 0 | 0 |
| CuZn 37-CuZn 30 (Ms 63-70) without lead | 2 | 2 | 1 | 0 | 0 | 0 |
| Copper | 2 | 2 | 1 | 0 | 0 | 0 |
| Al 99-99,5 | 0 | 0 | 0 | 1 | 1 | 1 |
| AlMg 3, AlMg 5, AlMgMn | 0 | 0 | 0 | 1 | 1 | 1 |
| AlMgSi 0.5, AlMgSi 1, AlSi 5 | 0 | 0 | 0 | 2 | 1 | 1 |
| 1 = well suited, 2 = sufficiently suited, depending on requirements, 0 = not suited | | | | | | |

SZ.0049.E

6 Operation

The measures mentioned in the "Initiation of stud welder" chapter have already been performed.



The applicable accident prevention and safety regulations in chapter 3 have to be complied with when operating the stud welder.



MORTAL DANGER

Never touch the stud or stud holder during the welding process. These components are current-carrying !

- Select the energy range according to stud diameters and welding parameters (chapter 5.5) by using the energy range controller (item 4, chapter 5.1). LED "Ready" lights up (item 7.2, chapter 5.2.2).
- Position pistol with welding stud on the workpiece.
Besides LED "Ready" (item 7.2, chapter 5.2.2) LED "Stud on Workpiece" lights up (item 7.3, chapter 5.2.2) when earth has been properly connected to the workpiece. Electric circuit is completed.
- Activate pistol switch.
LED "Release" (item 7.4, chapter 5.2.2) lights up and welding process is started. Charging voltage returns to "0". LED "Stud on workpiece" (item 7.3, chapter 5.2.2) lights up. LED "Ready" (item 7.2, chapter 5.2.2) goes out. Stud welder is not ready for welding.
- Remove pistol from the workpiece.
All LEDs go out and the stud welder is charged to the set value. After the value has been obtained, LED "Ready" (item 7.2, chapter 5.2.2) lights up and the stud welder is ready for the next welding process. In the case of automatic operation, one stud is reloaded.

Hold the pistol still during the welding process and wait until the welding process has been completed before removing it vertically from the welded stud. Please also refer to the respective chapters in the operating instructions of the stud welding pistols.

Adjustment and installation of the stud holder into the welding pistol as well as adjustment of the welding pistol are described in the operating instructions of the stud welding pistol.



7 Quality control

7.1 General

The 0905 DVS Guideline, part 2, of April 1979 is applicable with regard to quality assurance of stud weld joints. The tests described in this section are written in simplified terms, following above regulation. They refer to work tests that are carried out and supervised by the user prior to and during welding.

Heinz Soyer Bolzenschweißtechnik GmbH is a member of the German Welding Society (DVS = Deutscher Verband für Schweißtechnik e.V), Munich.

7.2 Demands on the company

The company must employ a technical supervisor responsible for welding matters, as well as qualified operating personnel for stud welding (see DVS Guideline 0905, part 2, section 4).

7.3 Proof of qualification

In the case of components which documentation must be provided for, or stud welding works which as per DIN 4100, DIN 4113 are subject to acceptance, the processing company must submit a certificate of competence or a proof of qualification for working with stud welding equipment (see DVS Guideline 0905, part 2, sections 4.1 and 4.2). The proof of qualification applies in particular to the fastening of structures that are relevant in terms of safety regulations. When being used in the building industry, only approved base and stud materials may be used (for example, see DIN 4100, section 2.1, certificate of approval for stainless steel ifBT; DIN 4113, part 2).

7.4 Type and scope of test

Provided that the SOYER stud welding system is properly used and the materials are appropriately selected, the strength of the welding joint (welding zone) will always be stronger than that of the stud or base material. The following tests are carried out in general practice:

- Standard work test (see DVS Guideline 0905, part 2, section 5.1.2)
- Simplified work test (see DVS Guideline 0905, part 2, section 5.1.2)

7.4.1 Standard work test

Generally, standard work tests have to be carried out and supervised by the user before welding at a structure and after a certain number of welds has been made. The number of welds after which a standard work test is required is agreed upon with the customer.

The standard work test is restricted to the stud diameter, base material and type of equipment used. It comprises the following tests:

- Visual inspection (all samples)
- Tensile test (at least 3 samples)
- Bend test (at least 3 samples)

In case of doubt, the test scope should be extended in compliance with DVS Guideline 0905, part 2, section 5.1.1.

7.4.2 Simplified work test

Simplified work tests serve to check the correct setting and function of the equipment. They are carried out at the beginning of every working shift and after several hours of interruption.

Simplified work tests include:

- Visual inspection (all samples)
- Bend test (all samples)

7.5 Test execution

7.5.1 Production of samples

The studs for the work test are welded on a sheet metal the minimum size of which is 700 mm x 200 mm. Use the same welding positions and edge distances as on the component to be welded later. If it is possible and sensible from an economical point of view, use parts that are identical to those used in later production.

7.5.2 Visual inspection

The visual inspection serves as a rough check for major defects. The uniformity of the weld is assessed. When in doubt, tensile and bend tests should be carried out.

7.5.3 Tensile test

The tensile test serves to test the metallic bond of the stud with the base metal. At least 3 studs are welded and then axially loaded by means of an appropriate tension device until they break. If the customer demands that a certain percentage of the welded studs should be tested with a specific test load in production, a tension device with load indicator should be used.

If the stud breaks outside the welding zone, the test is regarded as successful. If it breaks within the welding zone, however, the fractured surface must be examined. The unwelded surface may not exceed a maximum of 20 % of the welding surface. When in doubt, the breaking load in accordance with DIN 267, part 3, should be determined.



If the quantity of defective studs in one random test exceeds the acceptance number specified in DIN 267, part 5, as per AQL 4, it is necessary to find out the reason for the faults. The setting values must be modified and the test repeated.

7.5.4 Bend test

The bend test is a simple work test which serves to roughly check the setting values selected. The welding zone is subjected to undefined tension, pressure and bending. A minimum of 3 studs is welded and bent to an angle of 30° by means of a tube that is slipped over the stud. The test is considered as successful, if no superficial fissure or fracture is detected in the welding zone. The acceptance number in accordance with DIN 267, part 5, as per AQL 4 must be complied with. If the quantity of defective parts in one inspection lot exceeds the acceptance number AQL 4 (see DIN 267), the cause of trouble must be determined and the test repeated again.

8 Maintenance

8.1 Stud welder

The stud welders are constructed in such a way that only a minimum of maintenance is required. The interior of the stud welders should, however, be cleaned by a specialist at regular intervals depending on the environmental conditions at the location of use. Any defects of the system's control part can easily be eliminated by replacing the printed circuit and/or the clearly arranged fuses.



MORTAL DANGER

Before replacing any components, disconnect the mains cable from the mains supply. Electric and electronic components may only be replaced by a specialist. Contact the SOYER® service department, if necessary.



DANGER TO HEALTH

Before starting repair works, disconnect the mains cable from the power supply and the compressed-air supply from the stud welder connections.

- Unscrew recessed-head screws at both side parts. Remove upper part of the housing by lifting it vertically from the unit (please pay attention to the earth connection).
- Blow through the interior of the stud welder using clean, dry and filtered compressed air with a pressure of about 2 bar. If no compressed air is available, a vacuum cleaner may be used instead. Ensure, however, that no components are damaged by the nozzle.
- Replace the cover and secure it using the recessed-head screws (please pay attention to the earth connection).

8.2 Replacement of components

Defective components may only be replaced by trained SOYER servicemen. Perfect function of your stud welder can only be guaranteed if original SOYER spare parts are used.



MORTAL DANGER

Ensure that the mains plug has been disconnected and the capacitors are discharged before opening the housing to replace components.

9 Troubleshooting

The following list of errors, their causes and remedies is designed to help you eliminate any trouble immediately on the spot. If it is difficult or impossible to eliminate the trouble, please contact the SOYER customer service responsible for your area or Heinz Soyer Bolzenschweißtechnik GmbH.
For address and telecommunication data, please refer to chapter 1.6, page 1-4.



MORTAL DANGER

Always disconnect the connecting plug from the socket before opening the housing of the stud welder. Only trained and appropriately qualified personnel are allowed to open the housing and to carry out works on the electric power supply and stud welder.



DANGER OF ACCIDENTS

Only trained and appropriately qualified personnel are allowed to replace components of the stud welding system.



MORTAL DANGER

Before replacing any components, make sure that the capacitors are discharged.



| Error | Cause → Elimination |
|--|---|
| System does not weld, no or only poor sparking | System is not switched on → Switch on system, digital display lights up |
| | Welding or control cable are not connected properly or damaged → Connect cables properly, and/or check for damages. Replace if necessary |
| | Both earth cables are not or not properly connected and/or earth clamps are not attached to the workpiece → Connect earth cables, attach earth clamps to the workpiece |
| | Welding points and/or earth connection points at the workpiece are not metallicly blank → Prepare workpiece and/or studs |
| There is no arc even though system is ready for operation | Stud without ignition tip or centre mark too deep for the ignition tip → Use stud with ignition tip or reduce centre mark |
| | Control of stud welder or welding pistol is defective → Contact SOYER customer service |
| | Stud is too loose in stud holder → Press stud holder together or tighten it |
| Stud thread is scorched | Stud holder is worn → Replace stud holder |
| Varying welding results | Welding energy not correctly set → Set welding energy |
| | Cable connections are too loose. Transition resistances are generated → Check all cable connections and earth clamps for tight fit |
| | Stud too loose or not fully inserted into stud holder until stop → Insert stud into stud holder until stop. If necessary, replace stud holder |
| | Magnetic blowing action. Arc is forced into a certain direction → Alter earth clamp fixture, place iron parts on the edges and/or rotate welding pistol |
| | Irregular operation of stud welding pistol or welding head → Contact SOYER customer service |
| Intensive sparking, stud flange, almost melted away | Welding energy is set too high → Reset welding energy using energy range controller |



Troubleshooting

| Error | Cause → Elimination |
|--|--|
| Stud not welded with total flange surface, deficient weld joint strength | Welding energy set too low → Reset welding energy by means of the energy range controller |
| | Poor earth connection → Check earth cable and earth clamps for tight fit, tighten if necessary |
| | Surface too soiled → Clean workpiece surface |
| | Stud weld base deformed → Use new welding studs |
| | Stud projection over stud holder incorrectly set → Set projection to 2-3 mm (set distance between stud holder and stud weld base) |
| | Spring pressure incorrectly set → Set spring pressure |
| | Welding pistol in tilted position → Ensure that all 3 pistol legs are simultaneously and evenly positioned on the workpiece |
| Stud welder switches itself off | There are mains voltage fluctuations → Connect stud welder directly to the current distribution |
| | Control of stud welder, stud welding pistol or welding head is defective → Contact SOYER customer service |

10 Transport and storage

The stud welder has a robust metal housing. Owing to the electronic components it should be ensured, however, that transport is free from vibrations.

The stud welders BMS-10N and BMS-10NV have two handles at the side for transport and mobile use within short distances.



These carrying handles are intended for transport by hand only. Never pull ropes through these handles to lift the system by crane to the installation site. The system would become unstable and might tilt from its original position. As a result the handles could rip and the system fall on the ground.



DANGER TO HEALTH

Prevent unauthorized use of the stud welding system by children and unqualified personnel.



After long system standstill, we recommend having the stud welder checked by a SOYER® serviceman prior to initiation.

11 List of standards and guidelines

- 2014/35/EU Directive on Low Voltage
- 2014/30/EU Directive on Electromagnetic Compatibility
- EN 60974–1 Arc welding equipment - welding current sources
- EN 60974–10 Arc welding equipment - EMC requirements
- DVS Information Sheet 0901 Arc stud welding of metallic materials
- DVS Information Sheet 0902 Drawn arc stud welding
- DVS Information Sheet 0903 Capacitor discharge stud welding with tip ignition
- DVS Information Sheet 0904 Practical information – Arc stud welding
- EN 14555 Arc welding of metallic materials
- EN 13918 Studs and ceramic ferrules for arc welding
- DGUV Regulation 1 Principles of prevention
- 2006/42/EC Machinery Directive
- EN 12100–1 Safety of machinery – Basic terminology, systems engineering
- EN 12100–2 Safety of machinery – Technical principles and specifications
- EN 60204–1 Electric equipment of machinery, general requirements



12 Terms of warranty

We warrant for this equipment for a period of 6 months in accordance with our conditions of sale and delivery.

Any claim to a warranty will be forfeited if damages are caused by improper operation, or if repairs or interferences have been made by unauthorized personnel, or whenever accessories and spare parts have been used which do not match our equipment.

We cannot guarantee the quality of welded joints if welding studs acquired from another company are used.

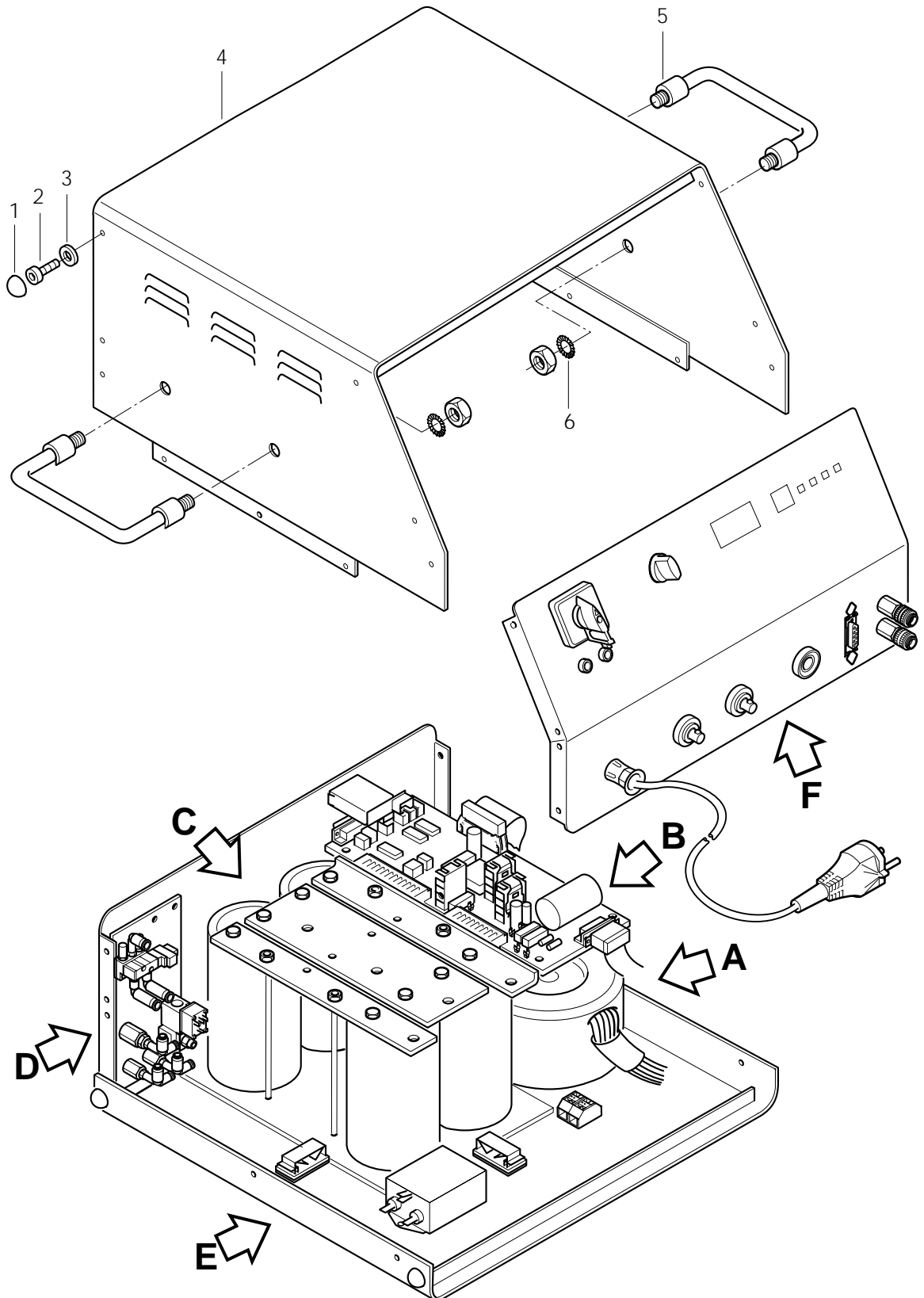


13 Spare parts

13.1 Spare parts list for BMS-10N stud welder - Overview

| Item No. | Quantity | Description | Order No. |
|----------|----------|----------------------------------|-----------|
| 1 | 22 | Cap PVC, grey | M01251 |
| 2 | 22 | Fillister head screw M4x10 | M01254 |
| 3 | 22 | U-washer M4, nylon | M01251/01 |
| 4 | 1 | Upper part of housing of BMS-10N | F03598 |
| 5 | 2 | Handle | M01240 |
| 6 | 4 | Tooth lock washer M8 | M01224 |

13.2 Exploded view of BMS-10N stud welder - Overview

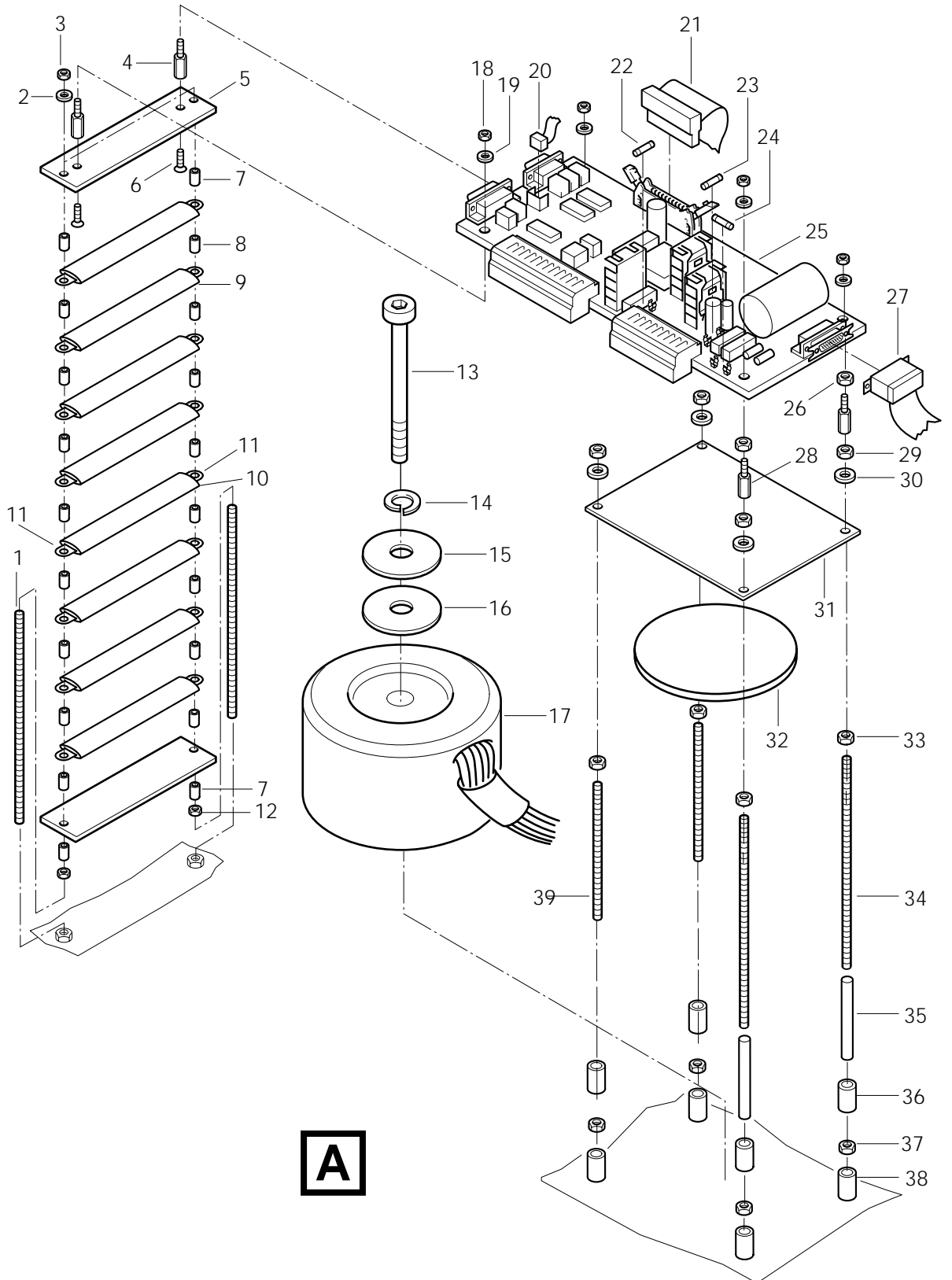




13.3 Spare parts list for BMS-10N stud welder - View A

| Item No. | Quantity | Description | Order No. |
|----------|----------|-------------------------------------|-------------|
| 1 | 2 | Threaded rod M4x140mm | M01242 |
| 2 | 2 | Spring ring M4 | M01074 |
| 3 | 2 | Hexagon nut M4 | M01012 |
| 4 | 2 | Spacing bolt M4x10 | M01047 |
| 5 | 2 | Resistor covering plate | F03601 |
| 6 | 2 | Flat-head screw M4x8 | M01351 |
| 7 | 4 | Distance sleeve Ø7x15 | M01262 |
| 8 | 16 | Distance sleeve Ø7x10 | M01261 |
| 9 | 3 | Wire resistor 7.5R/100W | E02089 |
| 10 | 5 | Wire resistor 15R/100W | E01986 |
| 11 | 16 | Resistor mounting plate | F01296 |
| 12 | 2 | Hexagon nut M4 | M01012 |
| 13 | 1 | Cheese-head screw M5x50 | M01178 |
| 14 | 1 | Spring ring M5 | M01075 |
| 15 | 1 | Washer M5 | M01063 |
| 16 | 1 | Washer, special size M6 | M01707 |
| 17 | 1 | Toroidal mains transformer BV 47718 | E03537 |
| 18 | 4 | Hexagon nut M4 | M01012 |
| 19 | 4 | Spring ring M4 | M01074 |
| 20 | 1 | Connecting cable for pulse counter | F03707/FA-E |
| 21 | 1 | Complete flat cable, 26-pole | F03617/FA-E |
| 22 | 1 | Fine-wire fuse 10AT | E01898 |
| 23 | 1 | Fine-wire fuse 1.6AT | E03608 |
| 24 | 1 | Fine-wire fuse 3.15 AT | E01895 |
| 25 | 1 | PC Board STA-41 | F03630/FA |
| 26 | 2 | Hexagon nut M4 | M01012 |
| 27 | 1 | Complete flat cable | F03636/FA-E |
| 28 | 2 | Spacing bolt M4 x 15 | M01031 |
| 29 | 4 | Hexagon nut M4 | M01012 |
| 30 | 4 | Spring ring M4 | M 1074 |
| 31 | 1 | Transformer mounting plate | F03750 |
| 32 | 1 | Insulating disk for transformer | E02222 |
| 33 | 4 | Hexagon nut M4 | M01012 |
| 34 | 2 | Threaded rod M4x140mm | M01242 |
| 35 | 4 | Insulating plastic tube 65mm | M01246 |
| 36 | 4 | PVC hose, black | M01310 |
| 37 | 4 | Hexagon nut M4 | M01012 |
| 38 | 1 | Lower part of housing | F03596 |
| 39 | 2 | Threaded rod M4x85mm | M01244 |

13.4 Exploded view of BMS-10N stud welder - View A

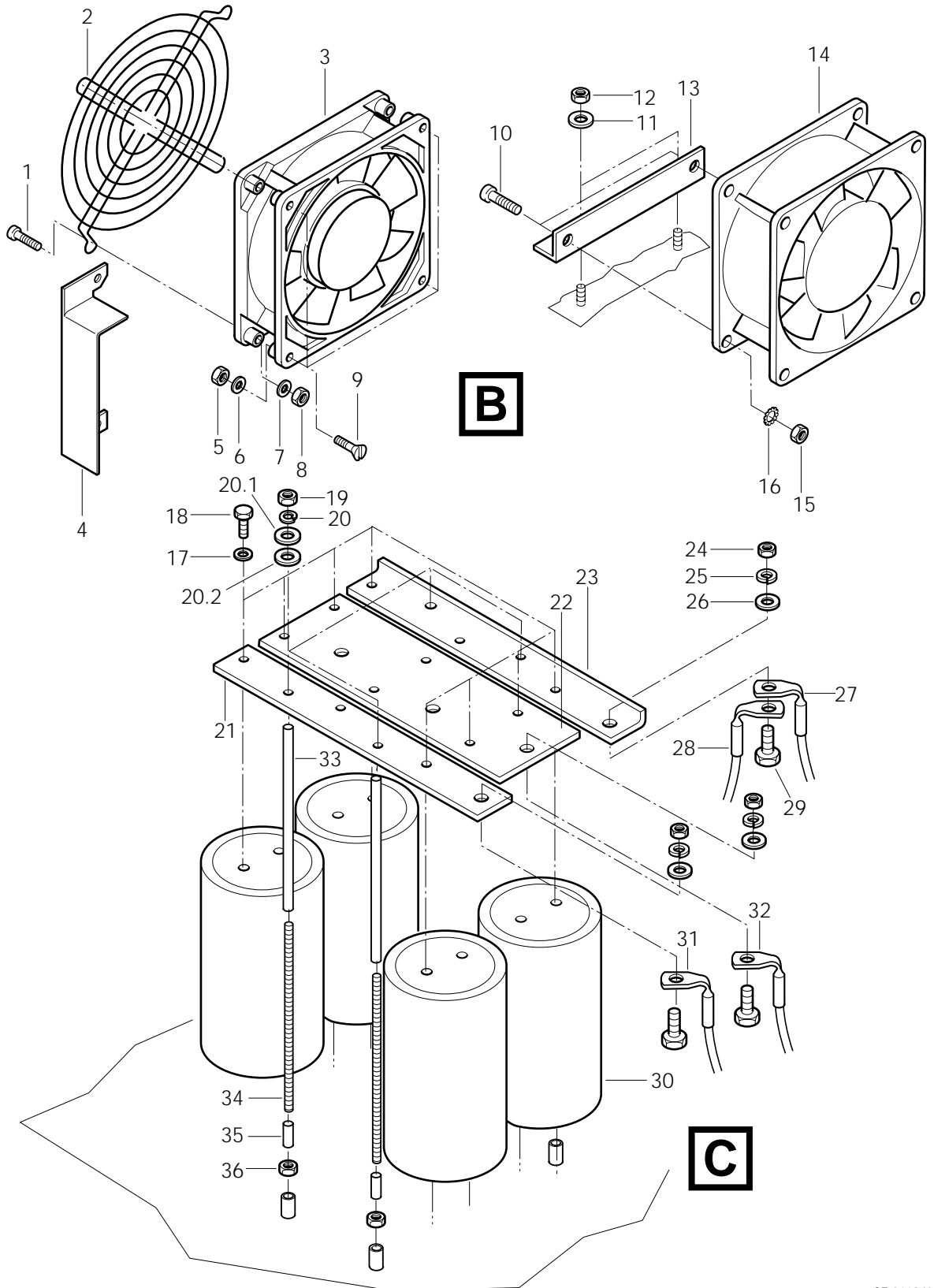




13.5 Spare parts list for BMS-10N stud welder - View B and C

| Item No. | Quantity | Description | Order No. |
|----------|----------|-----------------------------------|-------------|
| 1 | 4 | Cheese-head screw M4x16 | M01089 |
| 2 | 1 | Protective grating | E02224 |
| 3 | 3 | Fan 220/230 volt | E02083 |
| 4 | 1 | Covering plate for fan | F03789 |
| 5 | 4 | Hexagon nut M4 | M01012 |
| 6 | 4 | Spring ring M4 | M01074 |
| 7 | 4 | Spring ring M4 | M01074 |
| 8 | 4 | Hexagon nut M4 | M01012 |
| 9 | 4 | Flat-head screw M4x16 | M01354 |
| 10 | 2 | Cheese-head screw M4x12 | M01152 |
| 11 | 2 | Spring ring M6 | M01076 |
| 12 | 2 | Hexagon nut M6 | M01014 |
| 13 | 1 | Fan elbow | F01298 |
| 14 | 1 | Fan 24V TYPE 4715KL | E03514 |
| 15 | 2 | Hexagon nut M4 | M01012 |
| 16 | 2 | Spring ring M4 | M01074 |
| 17 | 8 | Spring ring M5 | M01075 |
| 18 | 8 | Hexagon head cap screw M5x12 | M01117 |
| 19 | 4 | Hexagon nut M4 | M01012 |
| 20 | 4 | Spring ring M4 | M01074 |
| 20.1 | 4 | Nylon washer | E03728 |
| 20.2 | 4 | Insulating disk | E02037 |
| 21 | 1 | Busbar, left | F01299 |
| 22 | 1 | Busbar, middle | F01301 |
| 23 | 1 | Busbar, right | F01300 |
| 24 | 3 | Hexagon nut M8 | M01015 |
| 25 | 3 | Spring ring M8 | M01077 |
| 26 | 3 | Washer M8 | M01065 |
| 27 | 1 | Connecting cable | F03627/FA-E |
| 28 | 1 | Connecting cable | F03628/FA-E |
| 29 | 3 | Hexagon head cap screw M8x16 | M01129 |
| 30 | 4 | Aluminium capacitor 22000 μ F | E01199 |
| 31 | 1 | Connecting cable | F03627/FA-E |
| 32 | 1 | Connecting cable | F03628/FA-E |
| 33 | 4 | Insulating plastic tube 175mm | M01246 |
| 34 | 4 | Threaded rod M4x185mm | M03516 |
| 35 | 4 | PVC hose, black | M01310 |
| 36 | 4 | Hexagon nut M4 | M01012 |

13.6 Exploded view of BMS-10N stud welder - View B and C

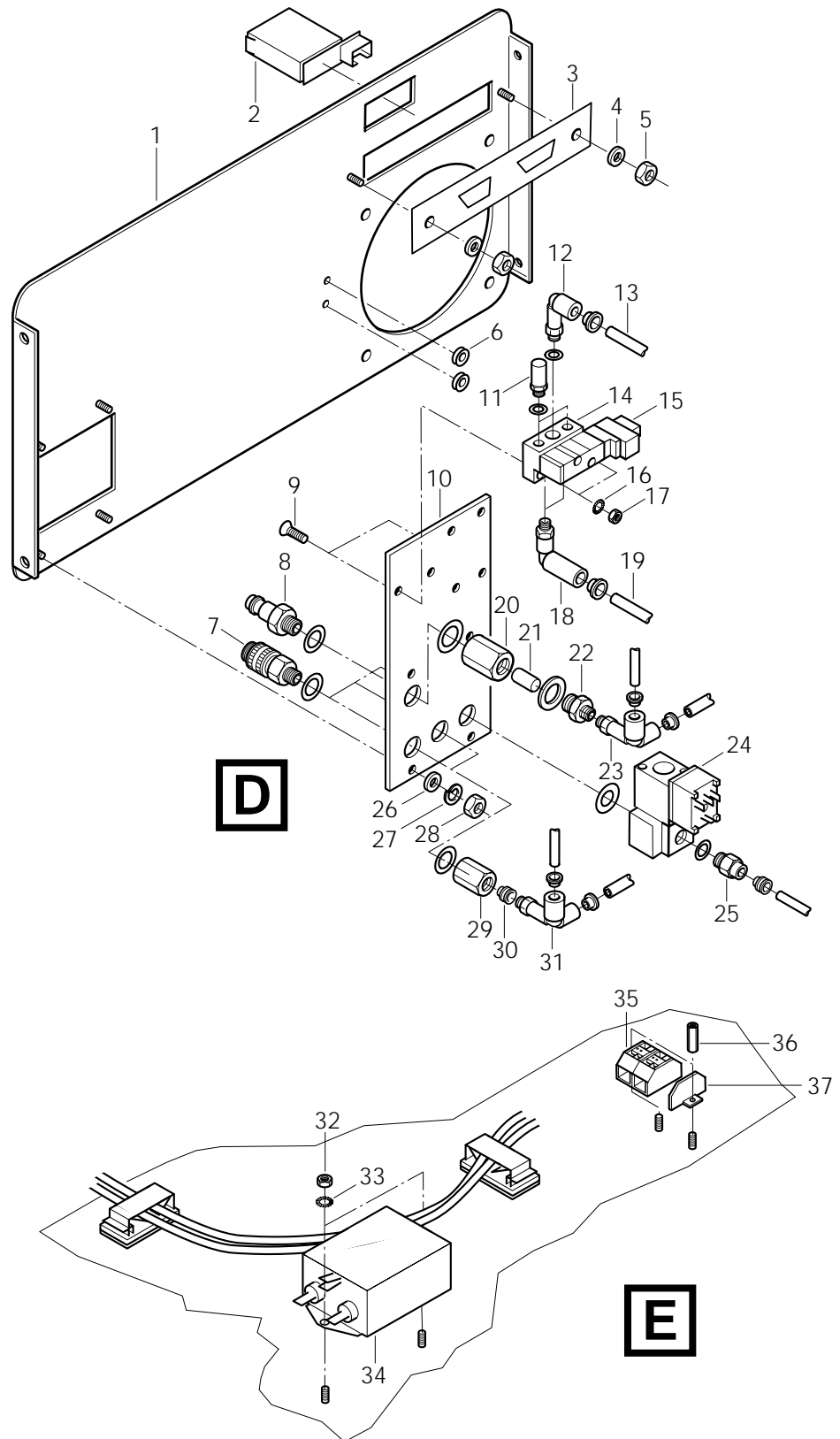




13.7 Spare parts list for BMS-10N stud welder - View D and E

| Item No. | Quantity | Description | Order No. |
|----------|----------|---|-----------|
| 1 | 1 | Back panel | F03599 |
| 2 | 1 | Complete pulse counter | F03708/FA |
| 3 | 1 | STA-41 PCB mounting plate | F03600 |
| 4 | 2 | Spring ring M4 | M01074 |
| 5 | 2 | Hexagon nut M4 | M01012 |
| 6 | 2 | Grommet | E03619 |
| 7 | 3 | Coupler socket KD-1/8 | M01299 |
| 8 | 1 | Coupler plug KS-1/4 | M01302 |
| 9 | 2 | Flat-head screw M3x16 | M01349 |
| 10 | 1 | Mounting plate | F02992 |
| 11 | 2 | Sound absorber U-M5 | M01284 |
| 12 | 1 | Angular joining piece M5/PU-4 | M02068 |
| 13 | 0.25m | Pneumatic hose PU-4 | M01306 |
| 14 | 1 | Connection board | M02101 |
| 15 | 1 | Pneumatic valve | M02099 |
| 16 | 2 | Tooth lock washer M3 | M01318 |
| 17 | 2 | Hexagon nut M3 | M01011 |
| 18 | 2 | Angular joining piece M5/PU-3 | M01056 |
| 19 | 2m | Pneumatic hose SMC4 | M01067 |
| 20 | 1 | Joining piece QM-1/4 | M01290 |
| 21 | 1 | Sound absorber U-1/8 | M01285 |
| 22 | 1 | Reducer | M01538 |
| 23 | 1 | Elbow PU-4 | M03518 |
| 24 | 1 | Pneumatic valve | M02098 |
| 25 | 1 | Pin-and-socket connector, straight KQH-06 | M02095 |
| 26 | 4 | Washer M4 | M01062 |
| 27 | 4 | Spring ring M4 | M01074 |
| 28 | 4 | Hexagon nut M4 | M01012 |
| 29 | 2 | Joining piece QM-1/8 | M01289 |
| 30 | 2 | Pin-and-socket connector, straight | M01060 |
| 31 | 2 | Angular joining piece 1/8-PU-3 | M01058 |
| 32 | 2 | Hexagon nut M4 | M01012 |
| 33 | 2 | Spring ring M4 | M01074 |
| 34 | 1 | Mains filter | E03541 |
| 35 | 3 | Binder with flange | E02651 |
| 36 | 2 | Spacing bolt M3x18 | M01705 |
| 37 | 1 | Covering plate | E02659 |

13.8 Exploded view of BMS-10N stud welder - View D and E





13.9 Spare parts list for BMS-10N stud welder - View F

| Item No. | Quantity | Description | Order No. |
|----------|----------|-------------------------------------|-------------|
| 1 | 4 | Hexagon nut M4 | M01012 |
| 2 | 4 | Spring ring M4 | M01074 |
| 3 | 1 | PC Board STA-31 | F03616/FA |
| 4 | 4 | Distance sleeve 7x1.4x10mm | M01261 |
| 5 | 4 | Distance sleeve 7x1.4x7mm | M01260 |
| 8 | 1 | Mounting plate | E01524 |
| 9 | 1 | Fastening set | M03576 |
| 10 | 1 | Complete flat cable (see item 27/A) | F03636/FA-E |
| 11 | 1 | Toroidal core | E03607 |
| 12 | 1 | Mounting base, self-adhesive | E01726 |
| 13 | 4 | Hexagon nut M4 | M01012 |
| 14 | 4 | Spring ring M4 | M01074 |
| 15 | 4 | Washer M4 | M01062 |
| 16 | 1 | Front panel with foil | F03614/FA |
| 17 | 1 | Mounting base, self-adhesive | E01726 |
| 18 | 1 | Main switch | E03512 |
| 19 | 4 | Flat-head screw M4x16 | M01354 |
| 20 | 1 | Complete turning knob comprising: | |
| | 1 | Turning knob | E01900 |
| | 1 | Nut cover | E01902 |
| | 1 | Front cap | E01904 |
| 21 | 2 | Earth connector | E01964 |
| 22 | 1 | Earth socket | E01958 |
| 23 | 2 | Pin-and-socket connector, straight | M01060 |
| 24 | 1 | Fine-wire fuse 0.1AT | E03504 |
| 25 | 1 | Fine-wire fuse 10AT | E01898 |
| 26 | 2 | Locking screw | E01891 |
| 27 | 2 | Coupler socket KD-1/8 | M01299 |
| 28 | 1 | Copper plate | F03529 |
| 29 | 2 | Hexagon nut M8 | M01015 |
| 30 | 2 | Spring ring M8 | M01077 |
| 31 | 2 | Washer M8 | M01065 |
| 32 | 1 | Connecting cable | F03628/FA-E |
| 33 | 2 | Thyristor clamping cap | E01987 |
| 34 | 1 | Thyristor SAE4A (not illustrated) | E01361 |
| 34.1 | 1 | Diode 470 POA40 (not illustrated) | E01817 |
| 35 | 2 | Hexagon head cap screw M8x16 | M01129 |
| 36 | 1 | Mains cable | E01985 |
| 37 | 8 | Washer M5 | M01063 |
| 38 | 8 | Spring ring M5 | M01075 |
| 39 | 8 | Hexagon nut M5 | M01013 |
| 40 | 1 | Hardboard | F03527 |
| 41 | 1 | Cable gland PG11 | E01969 |
| 42 | 1 | Lock nut PG11 | E01970 |
| 43 | 1 | Connecting cable | F03619/FA-E |
| 44 | 1 | Crimp lug 8 x 6 mm ² | E02046 |



Spare parts

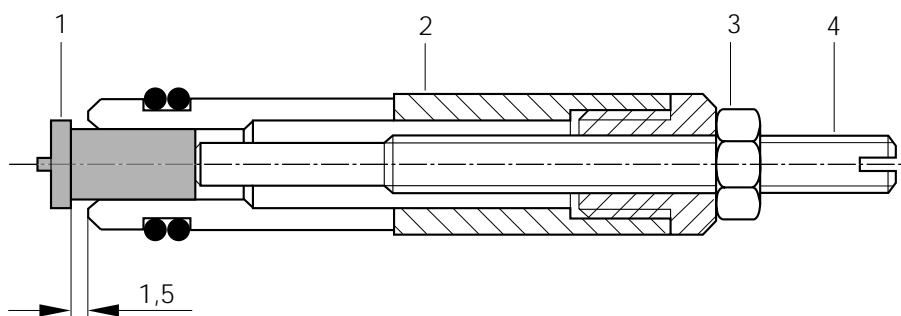
1 Adjustment of stud welding pistol

1.1 Adjustment of stud holder

The stud holders of welding pistols PS-1, PS-3K, PS-0K and PS-1K are all of the same type. When using large studs with short type welding pistols PS-0K and PS-1K, however, it is necessary to shorten the stop screw (4) of such welding pistols accordingly.



For pistols PS-1, PS-3K, PS-0K and PS-1K, use the standard stud holder with adjusting screw, having a length of 40 mm! Ensure that the maximum stud length does not exceed 35 mm.



SZ06.0593.012.X

- | | |
|---------------|--------------|
| 1 Stud | 3 Counternut |
| 2 Stud holder | 4 Stop screw |

For different stud diameters, different stud holders are required.

Adjust stud holder as follows:

- Loosen counternut (3)
- Insert stud (1) into stud holder.
The top edge of the stud flange must project for about 1.5 mm from the front edge of the stud holder.

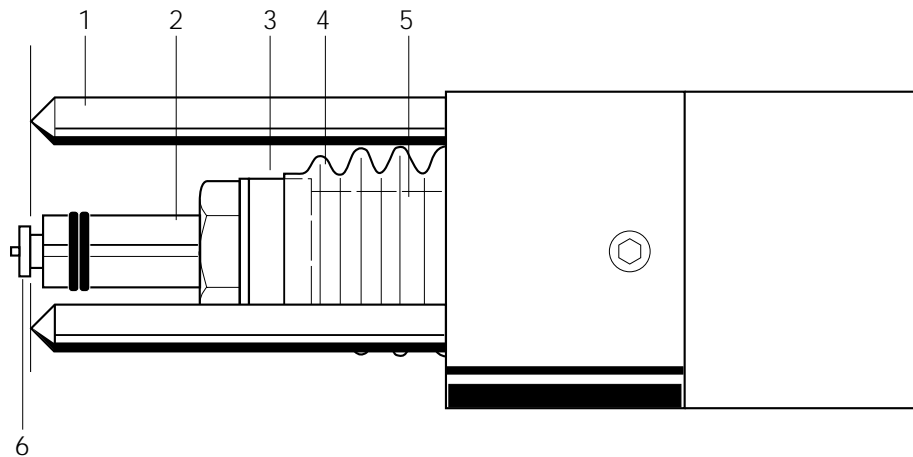


The stud must make contact with the stop screw (4).

- Adjust stop screw (4) in the stud holder by turning it until the distance from the top edge of the stud flange to the front edge of the stud holder equals 1.5 mm.
- Lock stop screw (4) by means of counternut (3).

1.2 Installation of stud holder into stud welding pistol

The illustration below shows how to install the stud holder into the stud welding pistols PS-1, PS-3 and PS-3K. Stud welding pistols PS-0K and PS-1K are provided with a support tube instead of pistol legs (1).



SZ05.0693.010.X

- | | |
|---------------|-----------------|
| 1 Pistol leg | 4 Bellows |
| 2 Stud holder | 5 Spring piston |
| 3 Sleeve nut | 6 Stud flange |

- Loosen sleeve nut (3) at stud welding pistol PS-1, PS-3 and PS-3K by means of socket wrench SW 17, those at stud welding pistols PS-0K and PS-1K by means of socket wrench SW 14
- Insert stud holder (2) into spring piston (5) until stop
- Tighten stud holder (2) with sleeve nut (3)



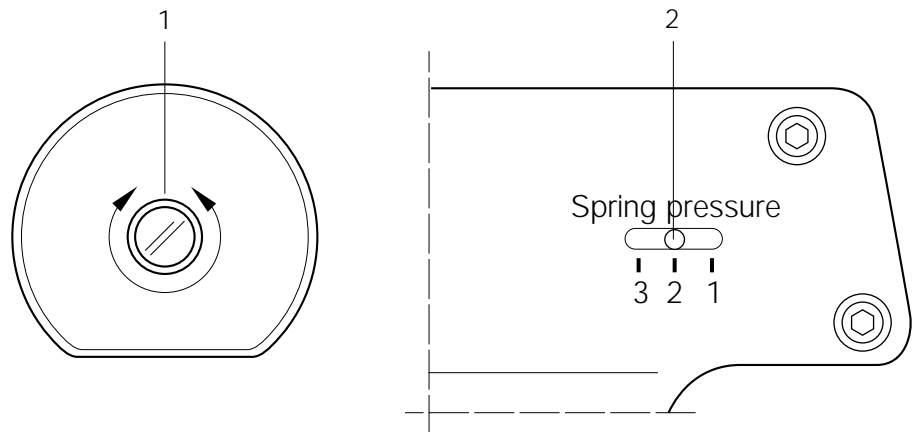
The stud flange must project from the top of the pistol legs or the support tube for the thickness of the flange. If this is not the case, remove stud holder and correct the projection by means of stop screw.

1.3 Adjustment of spring pressure

(does not apply to stud welding pistol PS-3)

When using the stud welding pistol PS-3, adjust the lift instead of the spring pressure. In this case please leave out chapter 1.3 and refer to chapter 1.4 of Appendix A "Adjustment of stud welding pistols - Capacitor Discharge". The pressure with which the stud is pressed against the workpiece during the welding process is called spring pressure.

The following illustration shows how to adjust the spring pressure of stud welding pistol PS-1 which is equipped with a spring pressure indicator. Stud welding pistol PS-3K is provided with a similar spring pressure indicator. For stud welding pistols PS-0K and PS-1K, there is no spring pressure indicator.



SZ.0041.E

- 1 Adjusting screw
- 2 Spring pressure indicator

For all stud welding pistols described here, the spring pressure is adjusted by means of the adjusting screw (1). The adjusted pressure is indicated at the spring pressure scale (2). Adjust spring pressure as follows:

- Turn adjusting screw (1) to the left until stop
Indicator position 1 = low pressure
- Turn adjusting screw (1) 3.5 turns to the right
Indicator position 2 = medium pressure
- Turn adjusting screw (1) to the right until stop
Indicator position 3 = high pressure

The spring pressure to be adjusted depends on the material of both welding stud and workpiece.

Before starting the work, carry out some experimental weldings and test them to find out the optimum adjustment.

Samples have to be taken during production to ensure constantly good welding results (see DVS Guideline 0905, Part 2, "Quality assurance of stud welding joints").

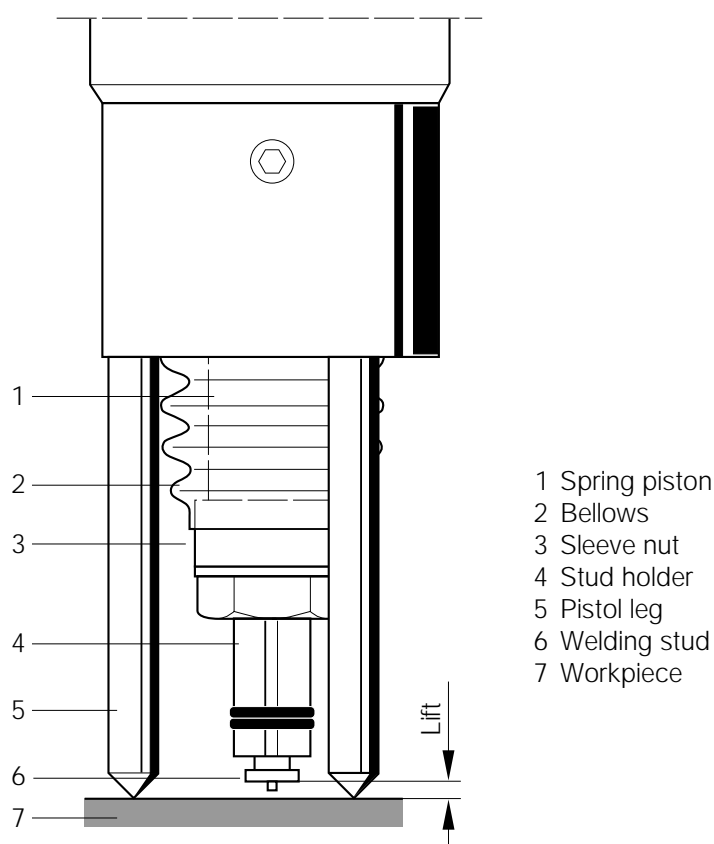
1.4 Lift (stud welding pistol PS-3)

Lift is the distance the stud is lifted off the workpiece during the welding process.



The adjustment of lift is only possible with stud welding pistol PS-3 combined with stud welder BMS-10N or BMS-10NV.

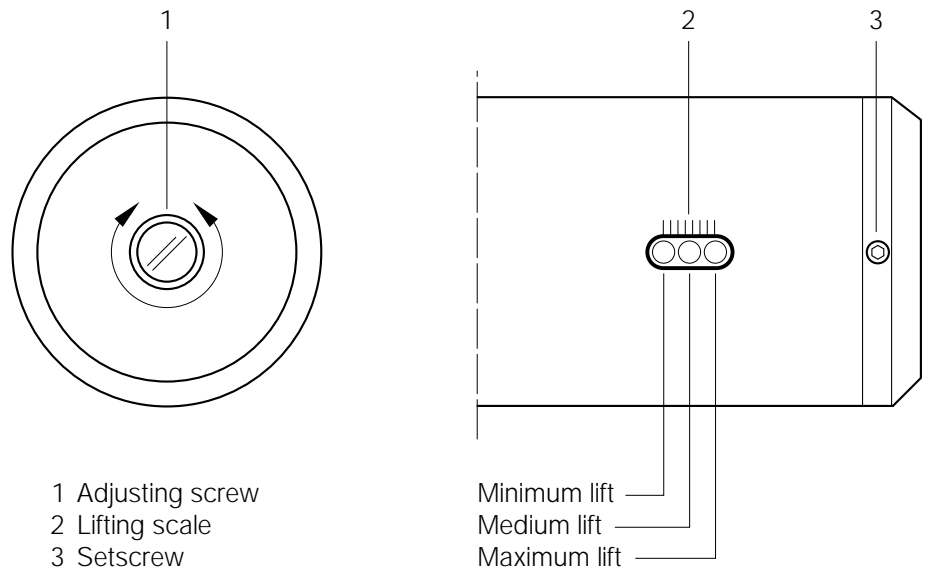
1.4.1 Determining the lift



SZ.0050.E

- Switch on stud welder
- Set function "Lift test" at the stud welder
- Position welding pistol with welding stud (chapter 1.4.1, item 6) on workpiece (chapter 1.4.1, item 7)
- Press pistol switch. Stud holder (chapter 1.4.1, item 4) with welding stud (chapter 1.4.1, item 6) is lifted off workpiece (chapter 1.4.1, item 7). Depending on the respective welding task the stud should lift off the workpiece for 2.5 - 4 mm

1.4.2 Adjusting the lift



SZ.0051.E

- Loosen setscrew by turning it anticlockwise using Allen key SW 2.
- Insert screw driver into the groove of the adjusting screw (chapter 1.4.2, item 1) located at the rear of the stud welding pistol and adjust by turning to the left or right till the required lift is obtained. Turning to the left increases the height of lift, turning to the right decreases it. After adjusting, check the lift and correct it if necessary.



After having adjusted the lift, fix it by means of the setscrew (3).

- Tighten setscrew (3) by turning it clockwise using Allen key SW 2.

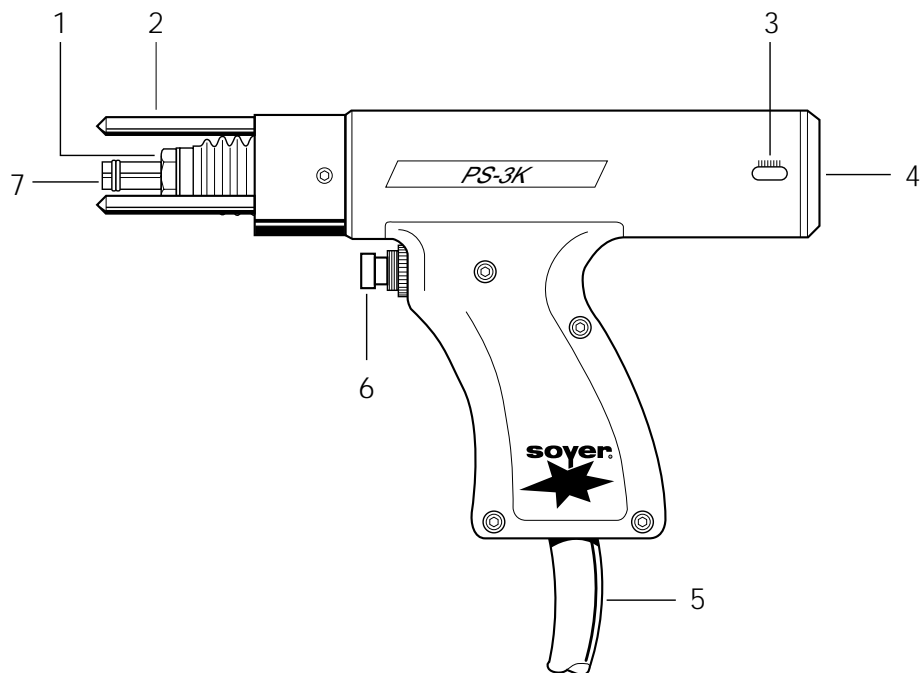
Terminate the function "Lift test" after having successfully adjusted the lift.

2 Initiation

2.1 Total view

The illustration below shows stud welding pistol PS-3K. The indicated components are only slightly different from those of stud welding pistols PS-1, PS-3, PS-0K and PS-1K.

- Stud welding pistols PS-0K and PS-1K are provided with support tubes instead of pistol legs (2)
- Stud welding pistols PS-0K and PS-1K are not equipped with a spring pressure indicator
- Stud welding pistol PS-3 is equipped with a lift indicator and adjusting screw for lift instead of the spring pressure indicator (chapter 2.1, item 3) and adjusting screw for spring pressure (chapter 2.1, item 4)



SZ05.0594.016.X

- | | |
|--|--|
| 1 Sleeve nut | 4 Adjusting screw for spring pressure or lift (stud welding pistol PS-3) |
| 2 Pistol leg | 5 Connecting cable |
| 3 Spring pressure indicator or lift indicator (stud welding pistol PS-3) | 6 Trigger switch |
| | 7 Stud holder |



2.2 Connecting stud welding pistols to stud welder

The stud welding pistols are connected to the stud welder by means of pistol and control cables.

2.3 Operation

- Connect stud welder to earth
- Connect stud welding pistol as described in chapter 5
- Adjust stud welding pistol as described in Appendix A, Chapter 1
- Connect stud welder to the mains supply
- Adjust stud welder for the welding studs to be used
- Insert welding studs into stud holder
- Place stud welding pistol upon workpiece and press trigger switch



3 Spare parts

3.1 Spare parts list for PS-3 stud welding pistol

Spare parts list in preparation



3.2 Exploded view of PS-3 stud welding pistol

Spare parts list in preparation



Appendix A/PS-3 - Spare parts - Capacitor Discharge

Heinz Soyer
Bolzenschweißtechnik GmbH
Ettersschlag
Inninger Straße 14
D-82237 Wörthsee
Tel.: ++49-(0) 81 53 / 8 85-0
Fax: ++49-(0) 81 53 / 80 30
Internet: www.soyer.de
www.soyer.com
E-Mail: verkauf@soyer.de
export@soyer.de